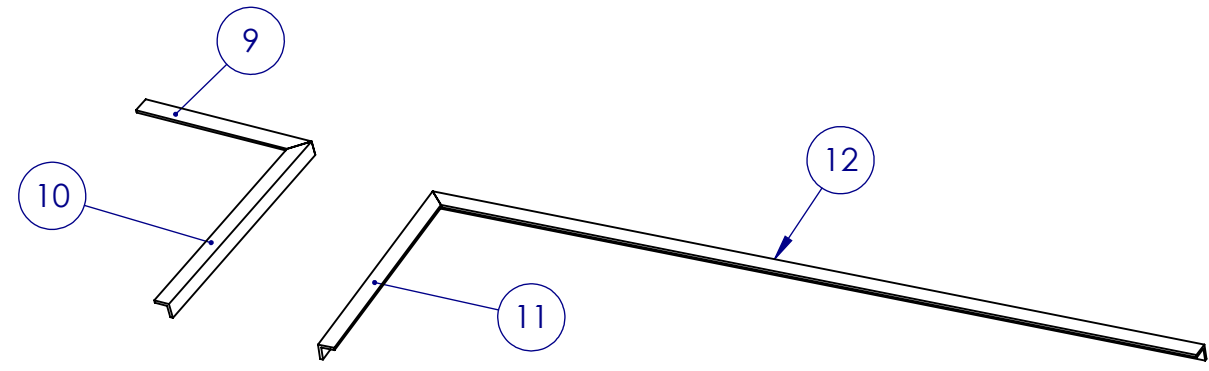
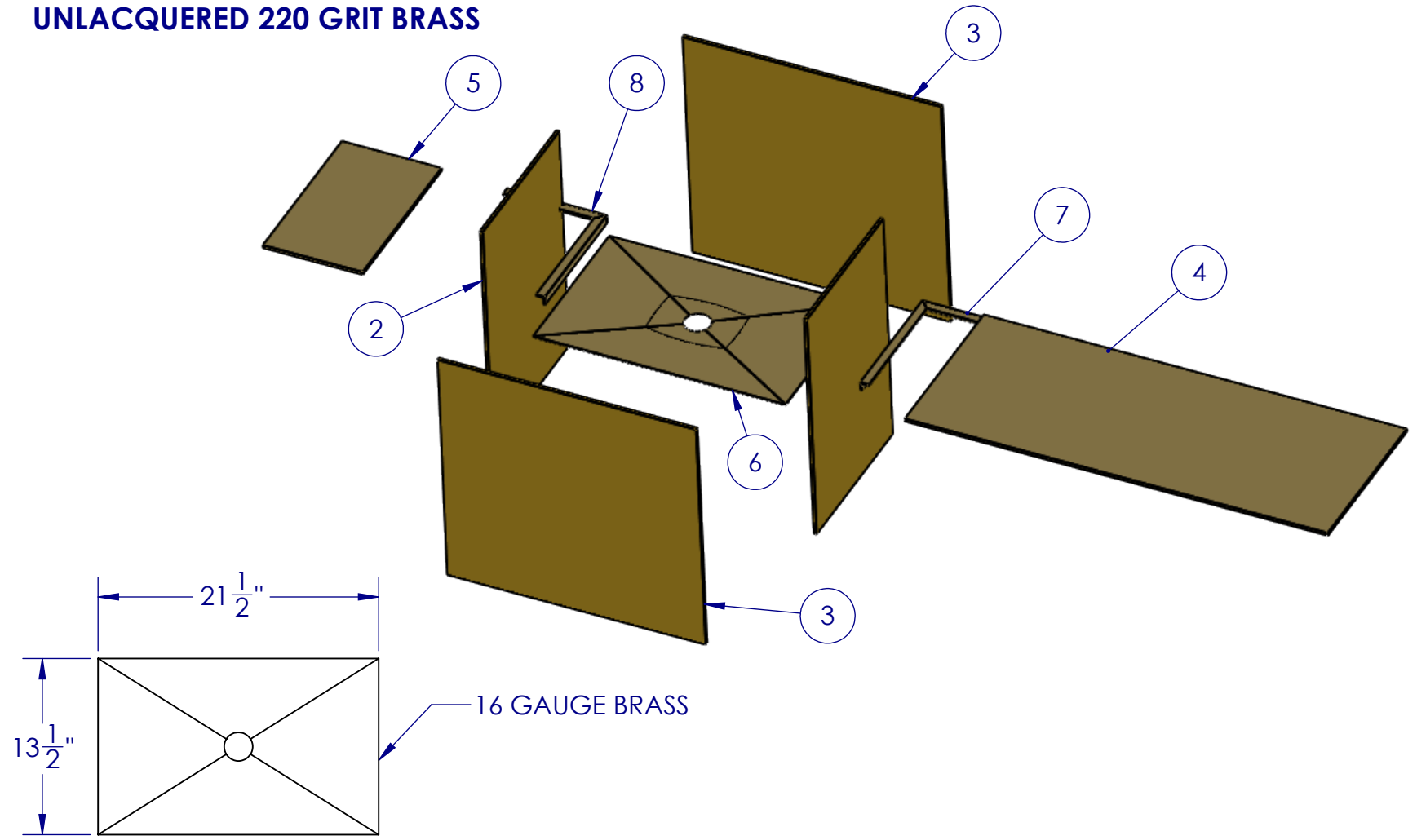


UNLACQUERED 220 GRIT BRASS



ITEM NO.	QTY.	DESCRIPTION	LENGTH	ANGLE1	ANGLE2
9	1	L0.75x0.75x0.125	8 1/2"	45°	0°
10	1	L0.75x0.75x0.125	11"	0°	45°

ITEM NO.	QTY.	DESCRIPTION	LENGTH	ANGLE1	ANGLE2
11	1	L0.75x0.75x0.125	11"	0°	45°
12	1	L0.75x0.75x0.125	36"	45°	0°

ITEM NO.	PART NUMBER	DESCRIPTION	
2	SIDE SINK	13.5" X 21" SIDE PANELS	2
3	FRONT PANEL	22" X 21" FRONT AND BACK PANEL	2
4	RIGHT SIDE SINK COUNTER	36" X 14" RIGHT COUNTER	1
5	LEFT SIDE SINK COUNTER	8.5" X 14" LEFT COUNTER	1
6	SINK BASE	3/16" SLANTED SINK WITH 2-3/16" Ø	1
7	L BRASS BRACKET	3/4" X 3/4" L ANGLE SUPPORT	1
8	LEFT SIDE SINK L SUPPORT ANGLE	3/4" X 3/4" L ANGLE SUPPORT	1