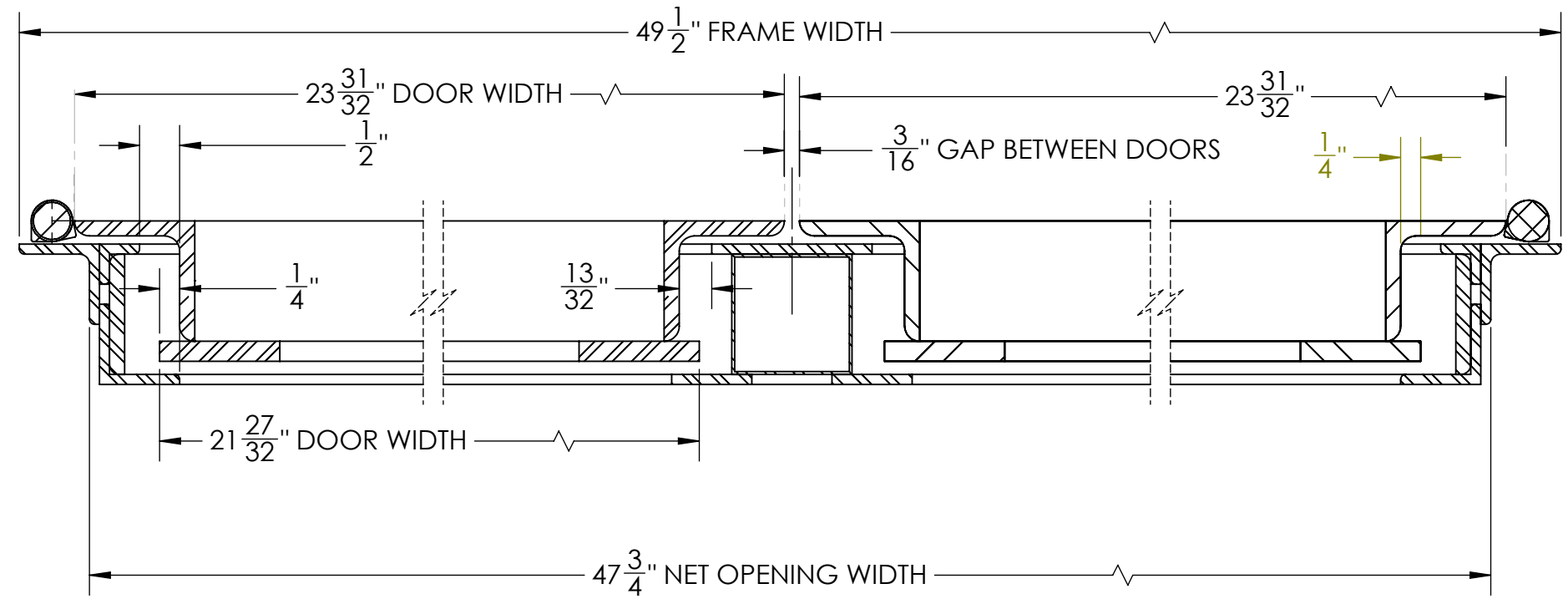
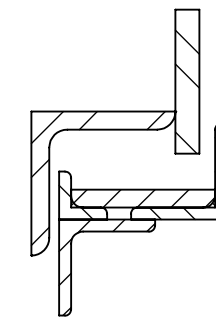
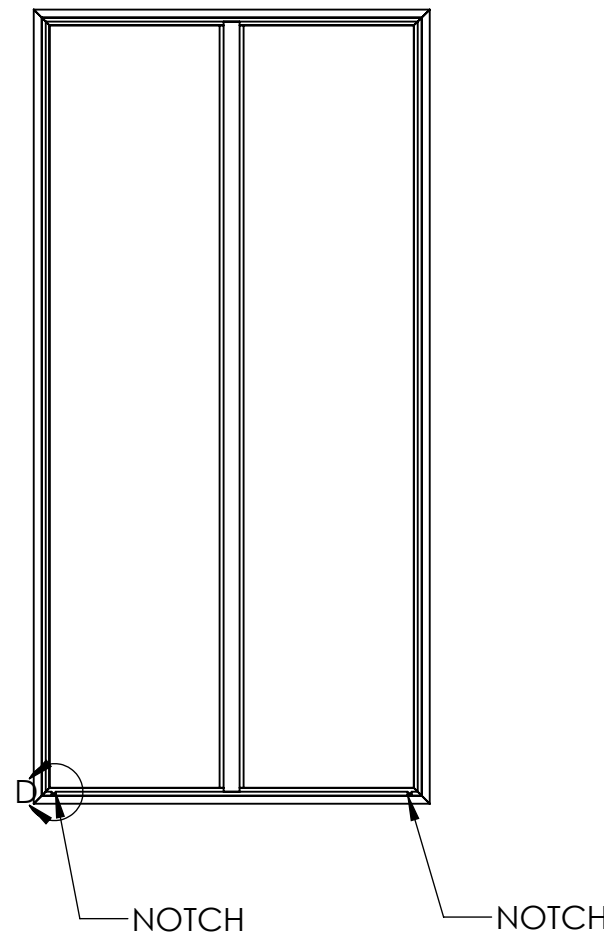
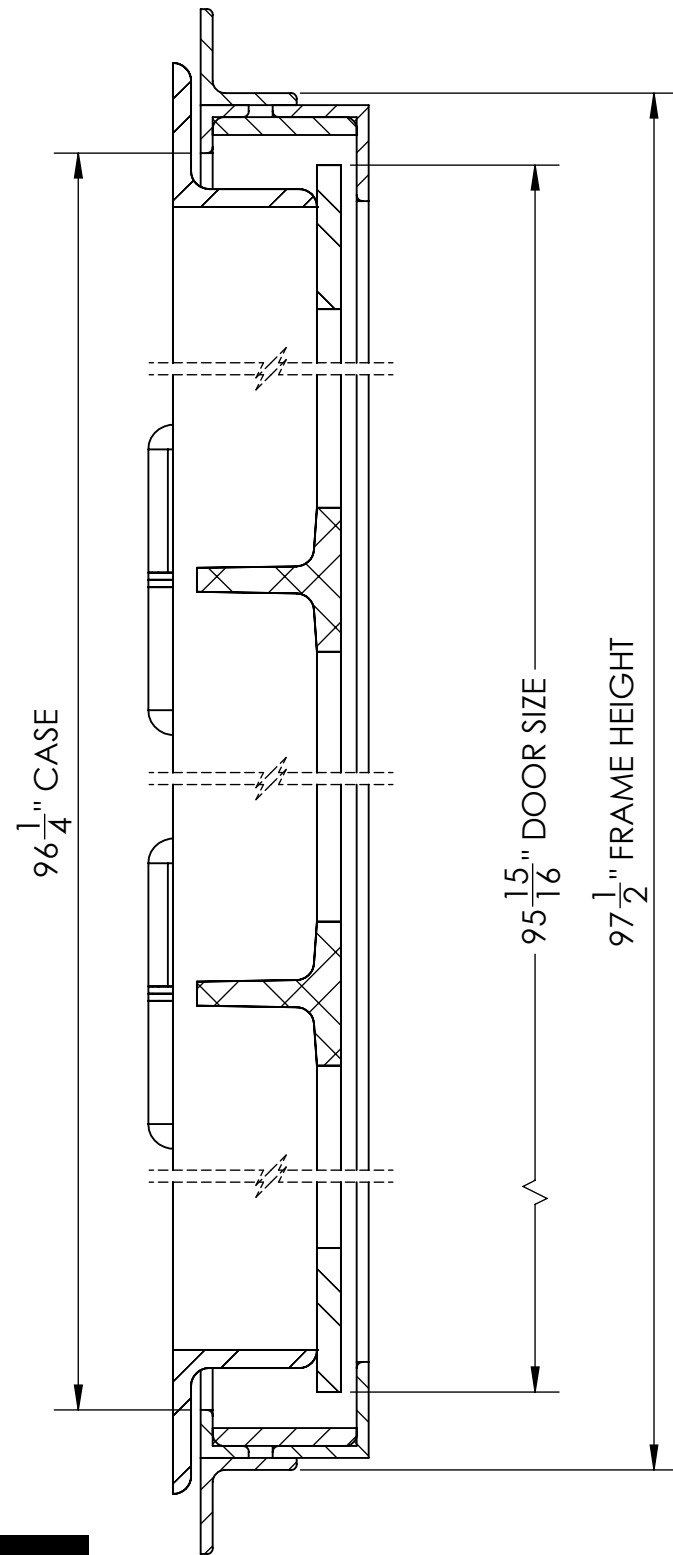


DOHENY STEEL FRAME AND DOOR ASSEMBLY

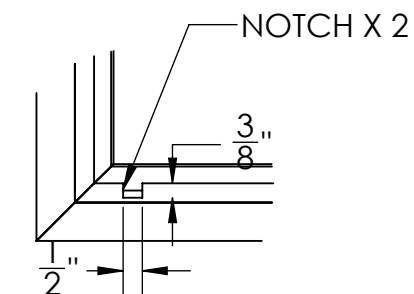
SECTION C-C
SCALE 1 : 2



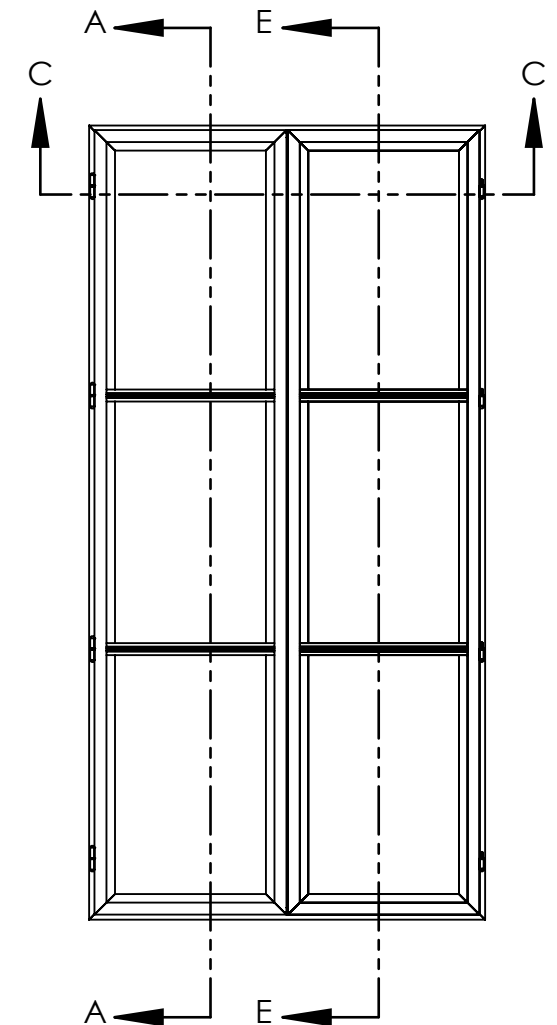
SECTION E-E
SCALE 1 : 2



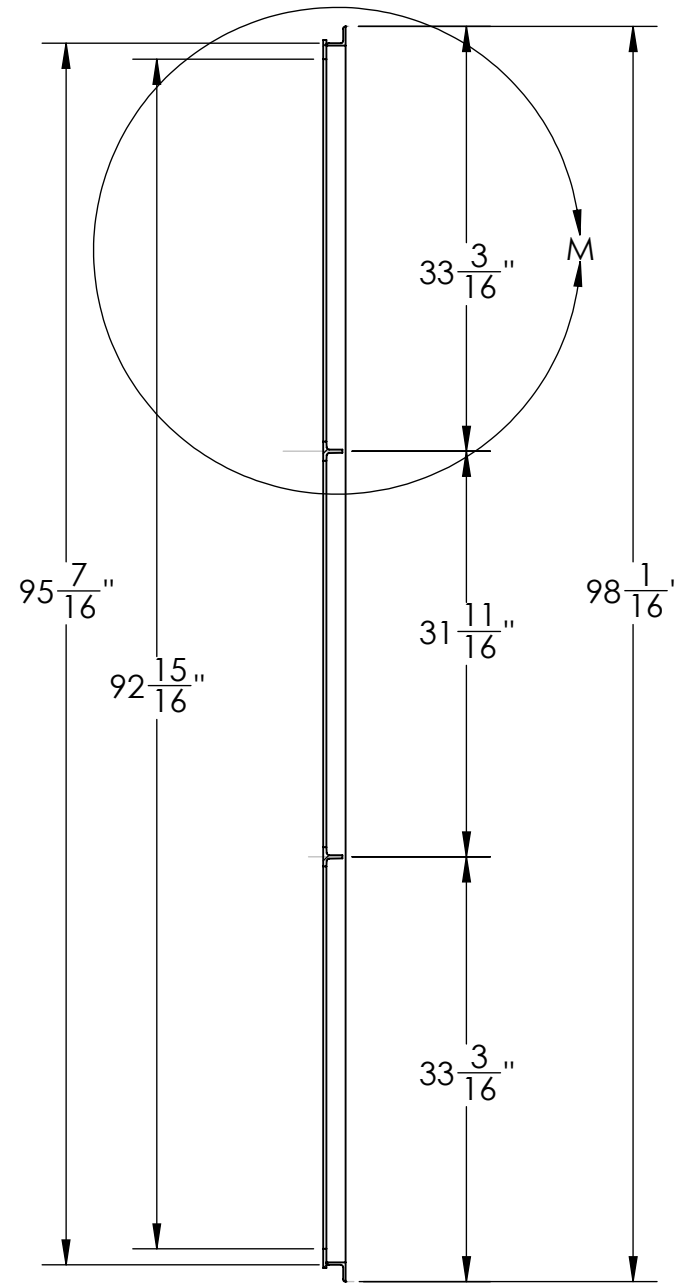
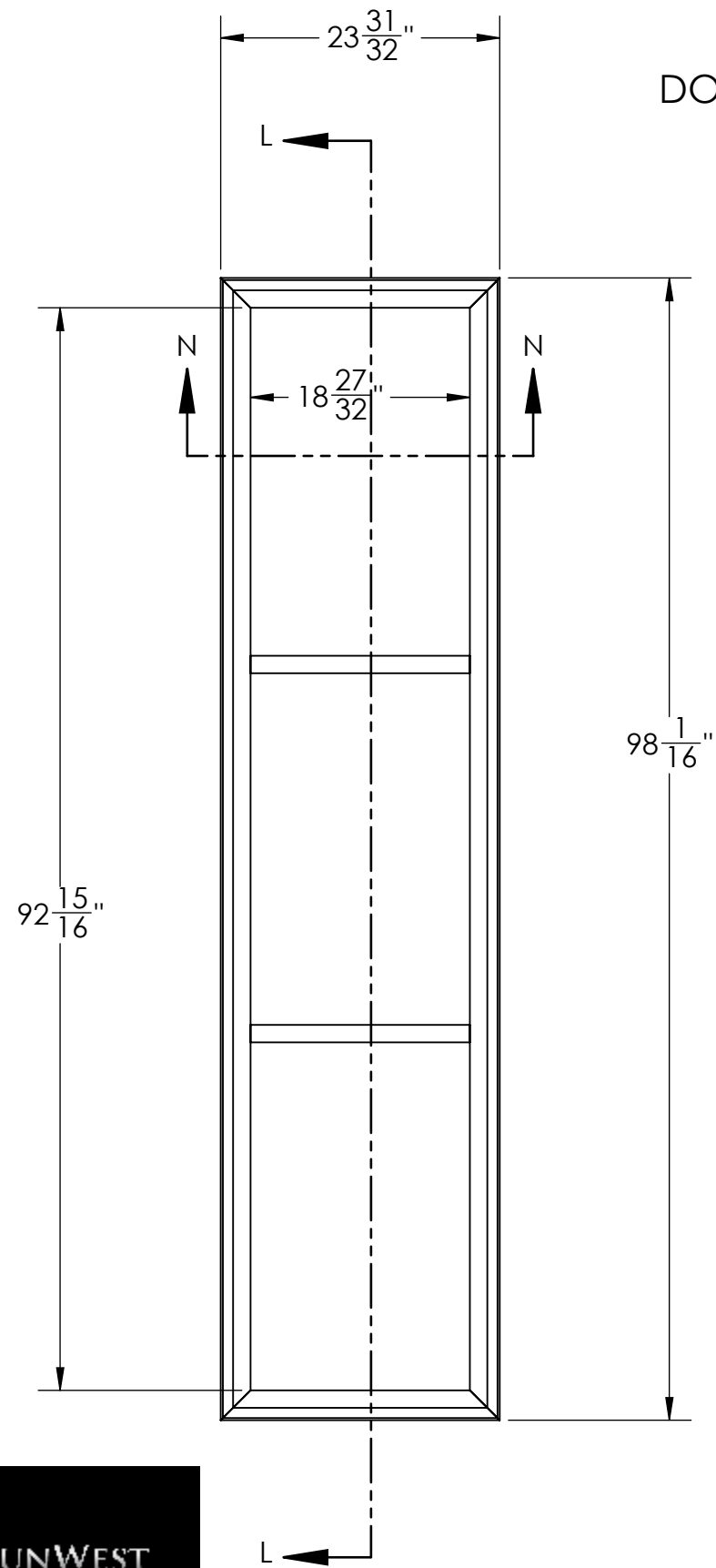
DETAIL B
SCALE 1 : 2



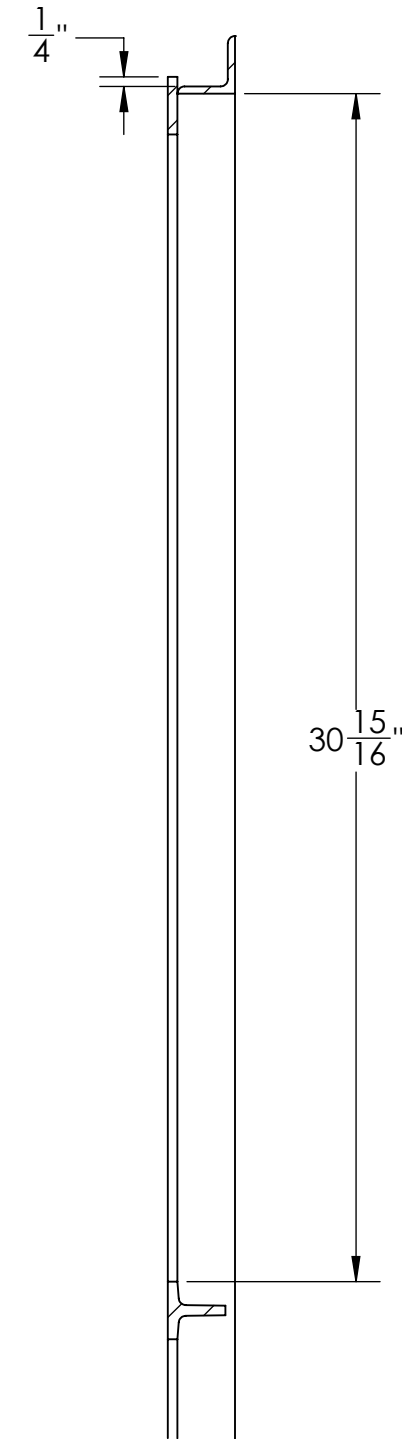
DETAIL D
SCALE 1 : 5



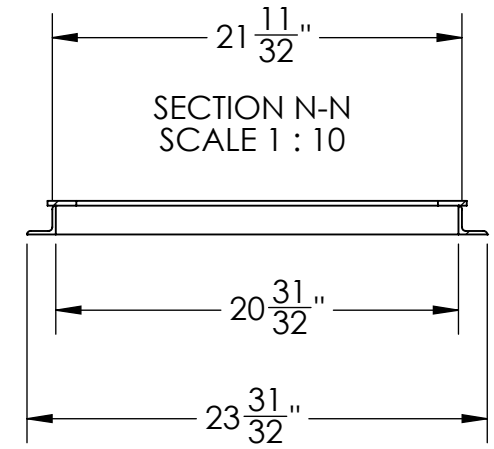
DOHENY STEEL DOOR

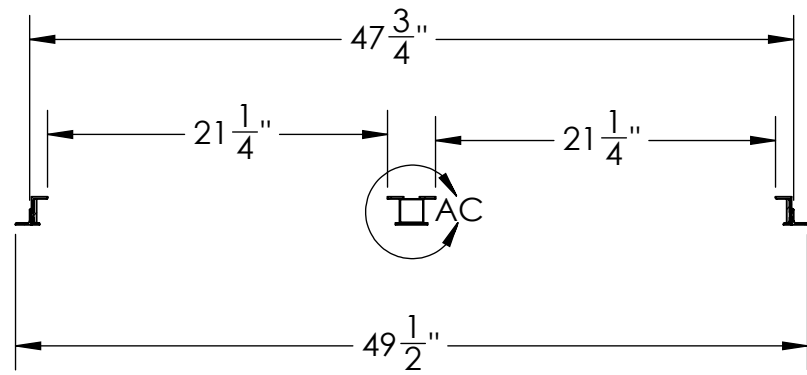


SECTION L-L
SCALE 1 : 15

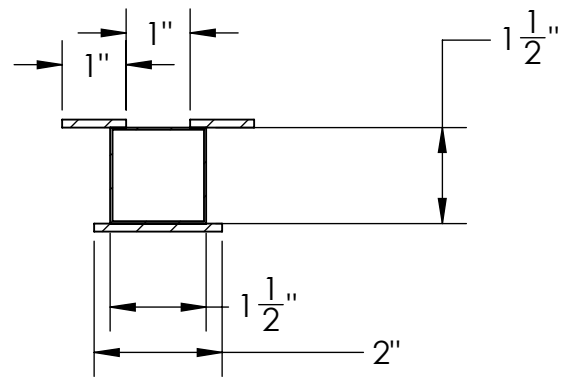


DETAIL M
SCALE 1 : 5

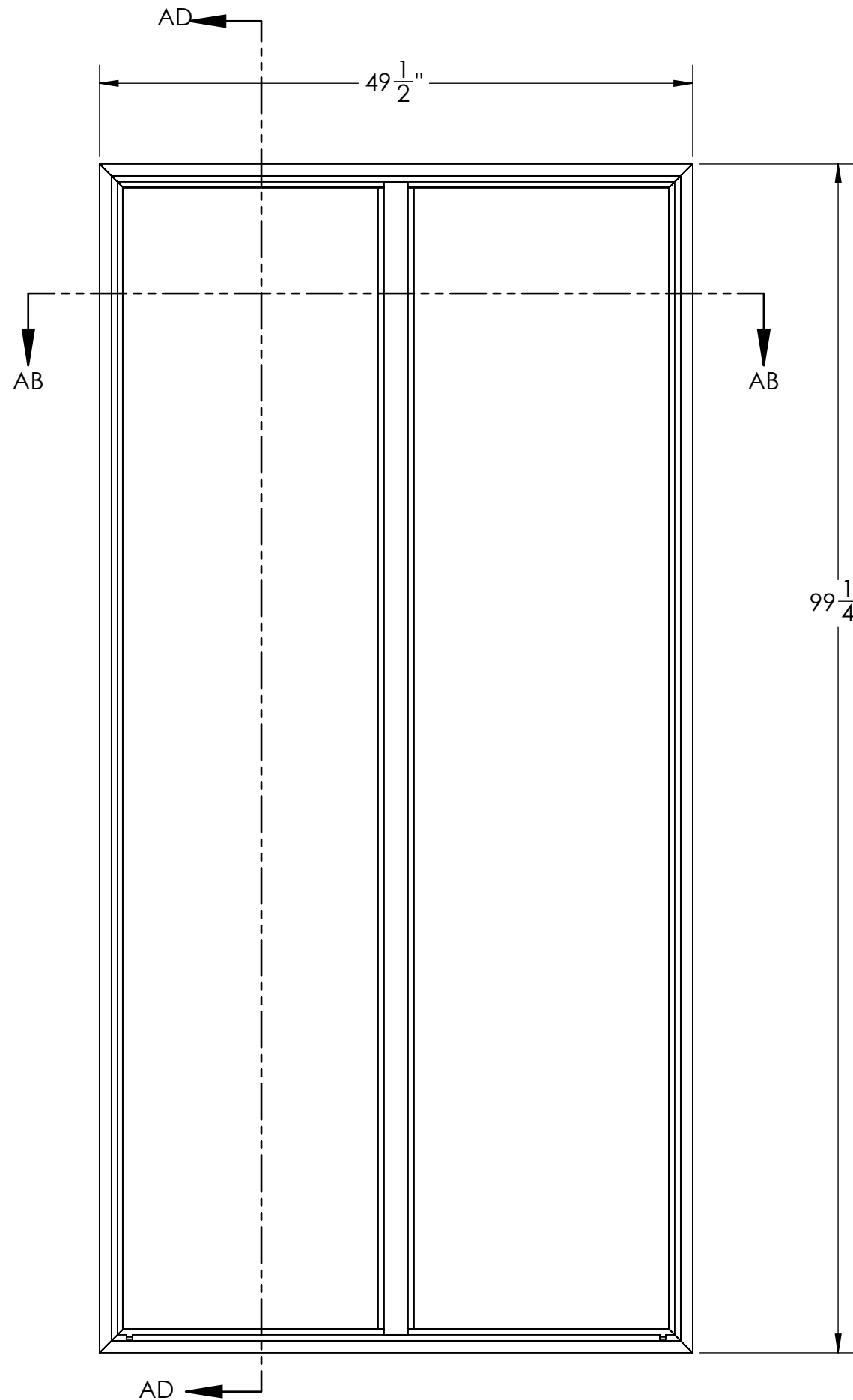




SECTION AB-AB
SCALE 1 : 12

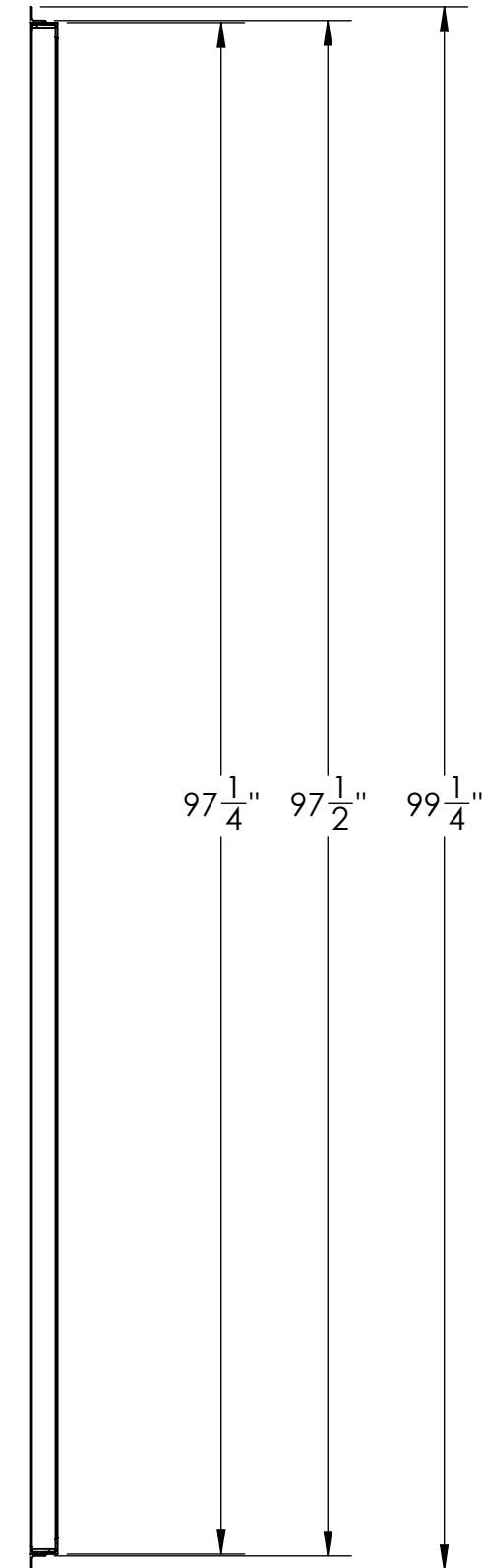


DETAIL AC
SCALE 1 : 3



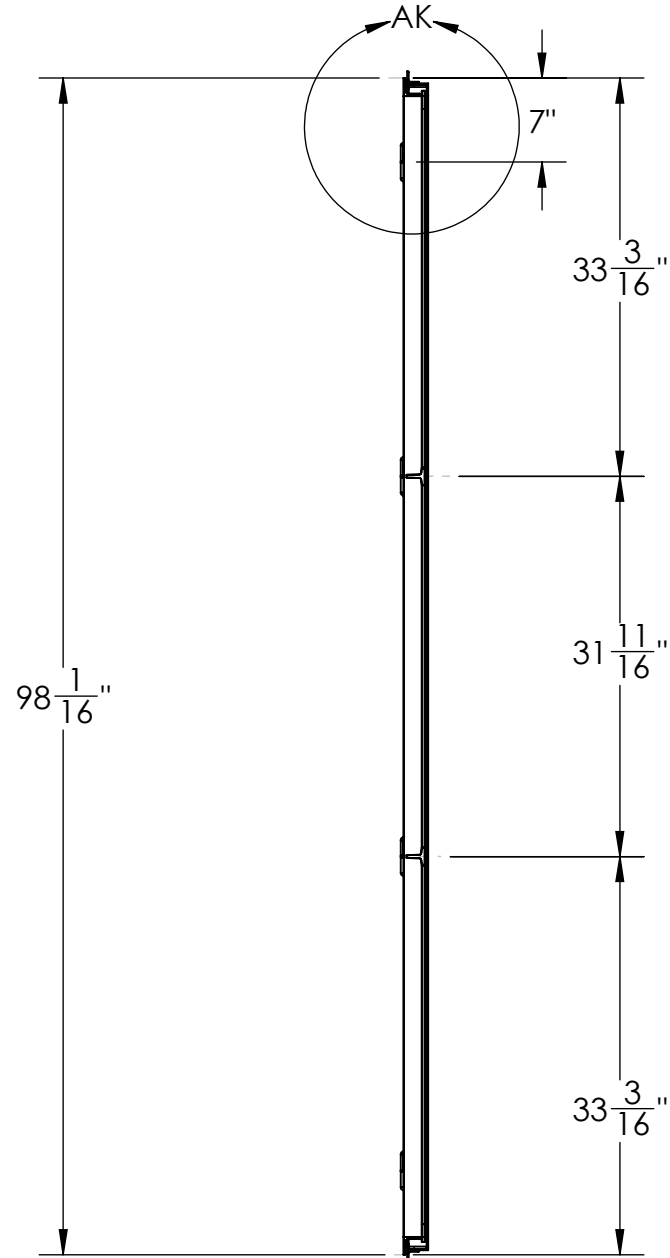
DOHENY STEEL FRAME

SECTION AD-AD
SCALE 1 : 12

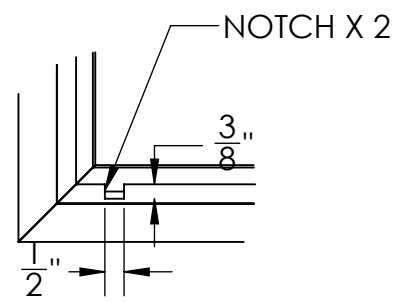


DOHENY STEEL FRAME HINGE LOCATION
FROM CENTER

DOOR SECTION HINGE LOCATION

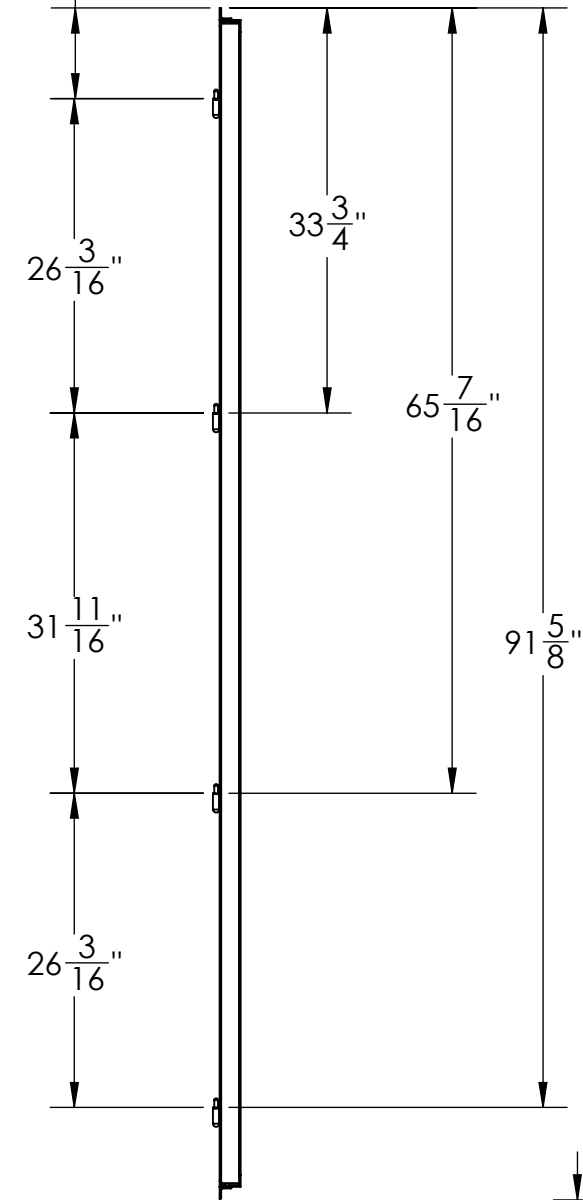


SECTION AJ-AJ
SCALE 1 : 16

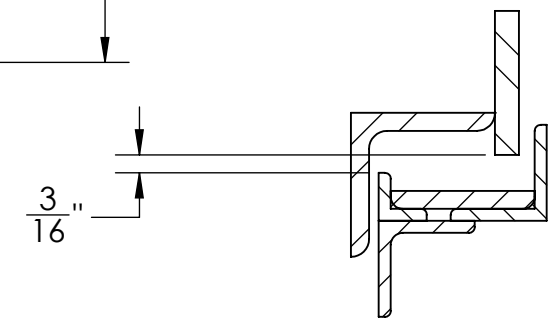


DETAIL AH
SCALE 1 : 5

$7 \frac{9}{16}$ " FRAME HINGE LOCATION



SECTION AL-AL
SCALE 1 : 16



DETAIL AF
SCALE 1 : 2