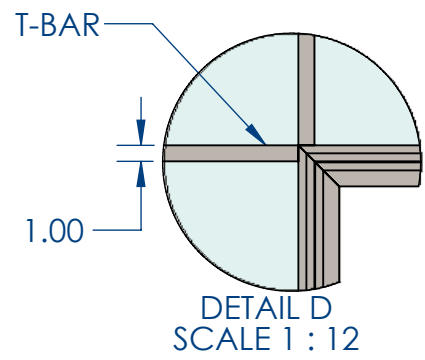
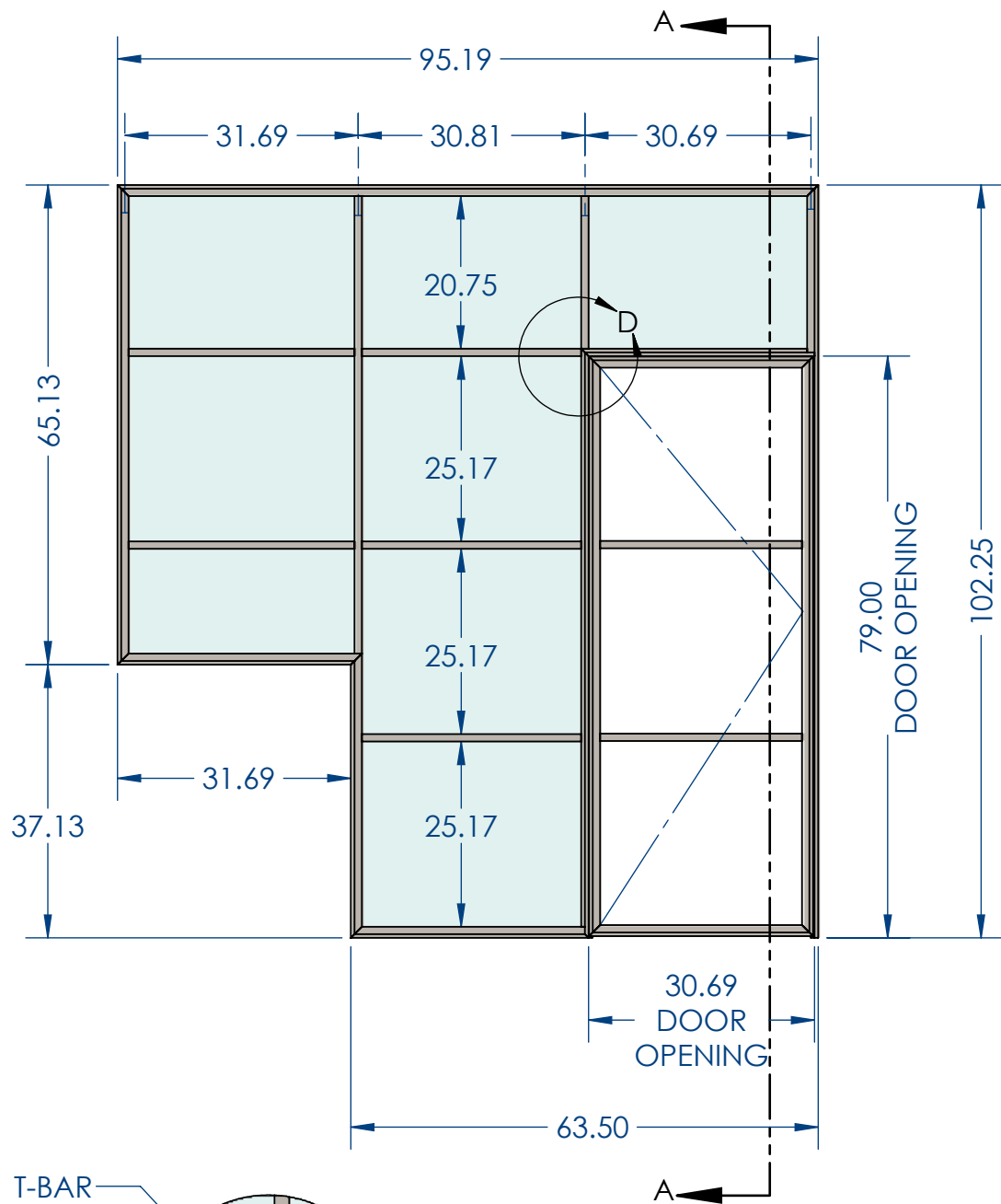
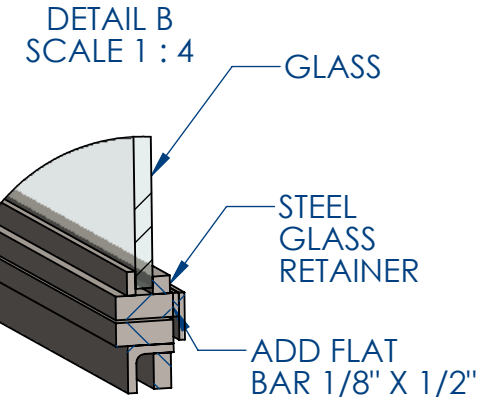
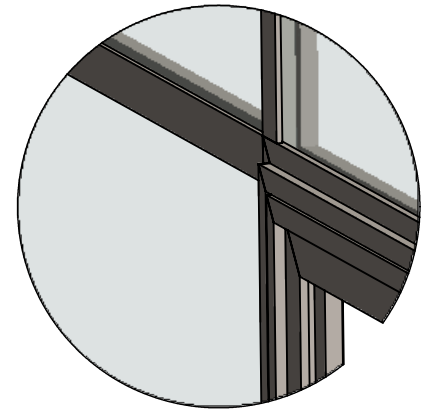


**SUNWEST STEEL SHOWER FRAME & DOOR**

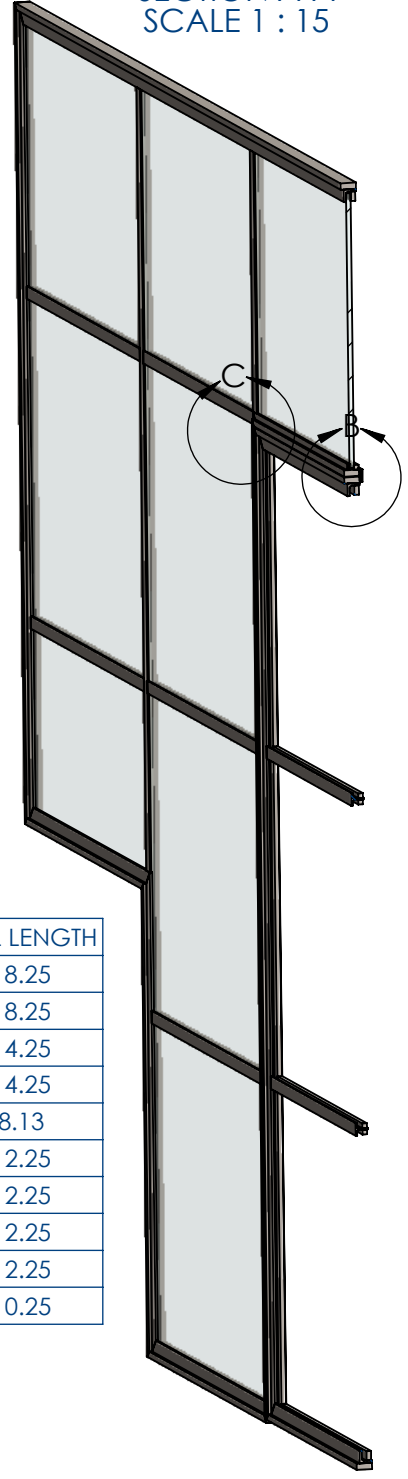


NOTE:  
TOP GAP 1/8"  
BOTTOM GAP 3/16"  
SIDE GAPS 1/8"

DETAIL C  
SCALE 1 : 4

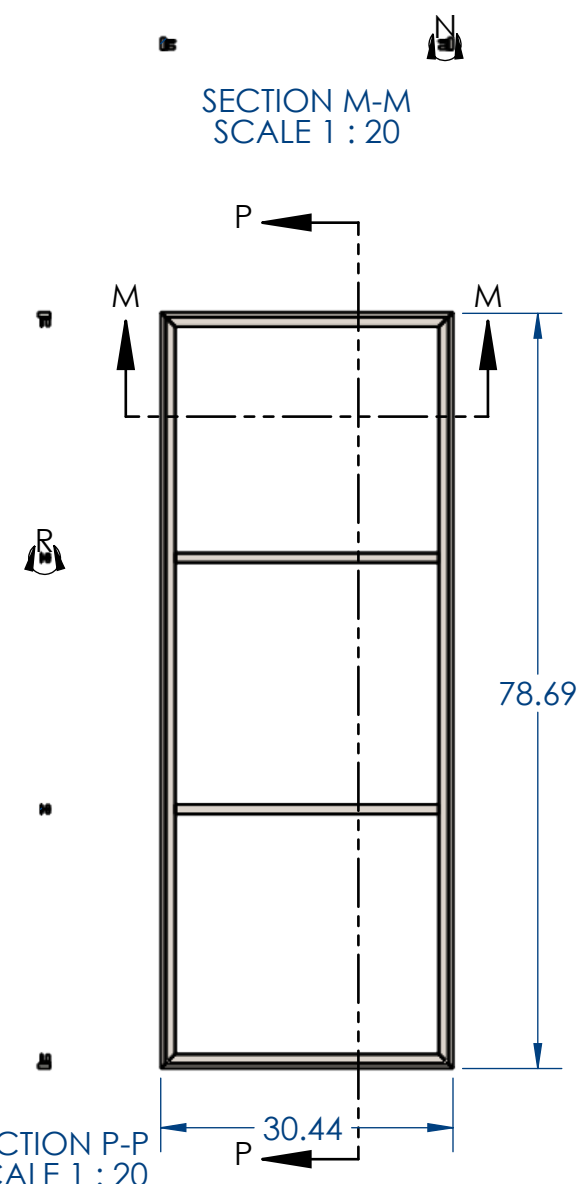


SECTION A-A  
SCALE 1 : 15

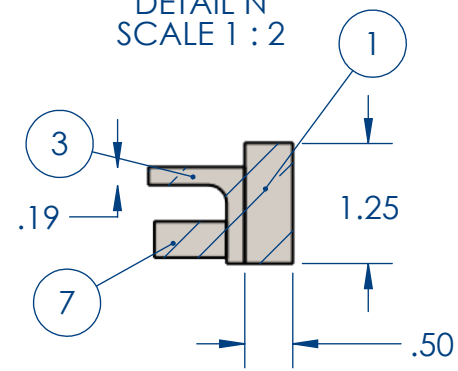


SHOWER DOOR SIZE

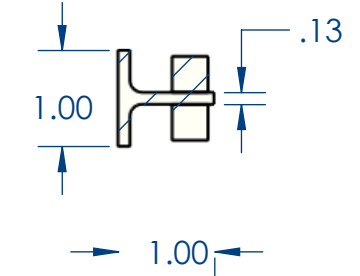
SECTION M-M  
SCALE 1 : 20



DETAIL N  
SCALE 1 : 2



DETAIL R  
SCALE 1 : 2



DOOR CUT LIST

ITEM NO.	QTY.	DESCRIPTION	LENGTH	ANGLE1	ANGLE2	TOTAL LENGTH
1	2	STEEL BAR 1-1/4" X 1/2"	78.69	45°	45°	218.25
2	2	STEEL BAR 1-1/4" X 1/2"	30.44	45°	45°	218.25
3	2	L ANGLE 1" X 1" X 3/16"	77.69	45°	45°	214.25
4	2	L ANGLE 1" X 1" X 3/16"	29.44	45°	45°	214.25
5	2	T SECTION 1" X 1" X 1/8"	29.06	-	-	58.13
6	2	STEEL BAR 3/4" X 3/8"	29.06	45°	45°	212.25
7	2	STEEL BAR 3/4" X 3/8"	24.79	0°	45°	212.25
8	2	STEEL BAR 3/4" X 3/8"	26.04	0°	0°	212.25
9	2	STEEL BAR 3/4" X 3/8"	26.23	0°	45°	212.25
10	4	STEEL BAR 3/8" X 3/8"	27.56	0°	0°	110.25

MATERIAL TO ORDER

- STEEL BAR 1-1/4" X 1/2" - 2 PIECES
- L ANGLE 1" X 1" X 3/16" 2 PIECES
- T BAR 1" X 1" X 1/8" - 1 PIECE
- STEEL BAR 3/4" X 3/8" - 1 PIECE
- STEEL BAR 3/8" X 3/8" - 1 PIECE

REV: 2



21125 Centre Point Pkwy  
Santa Clarita, California  
Phone: (661) 839-9406

TITLE: CASTITLLA SHOWER DOOR

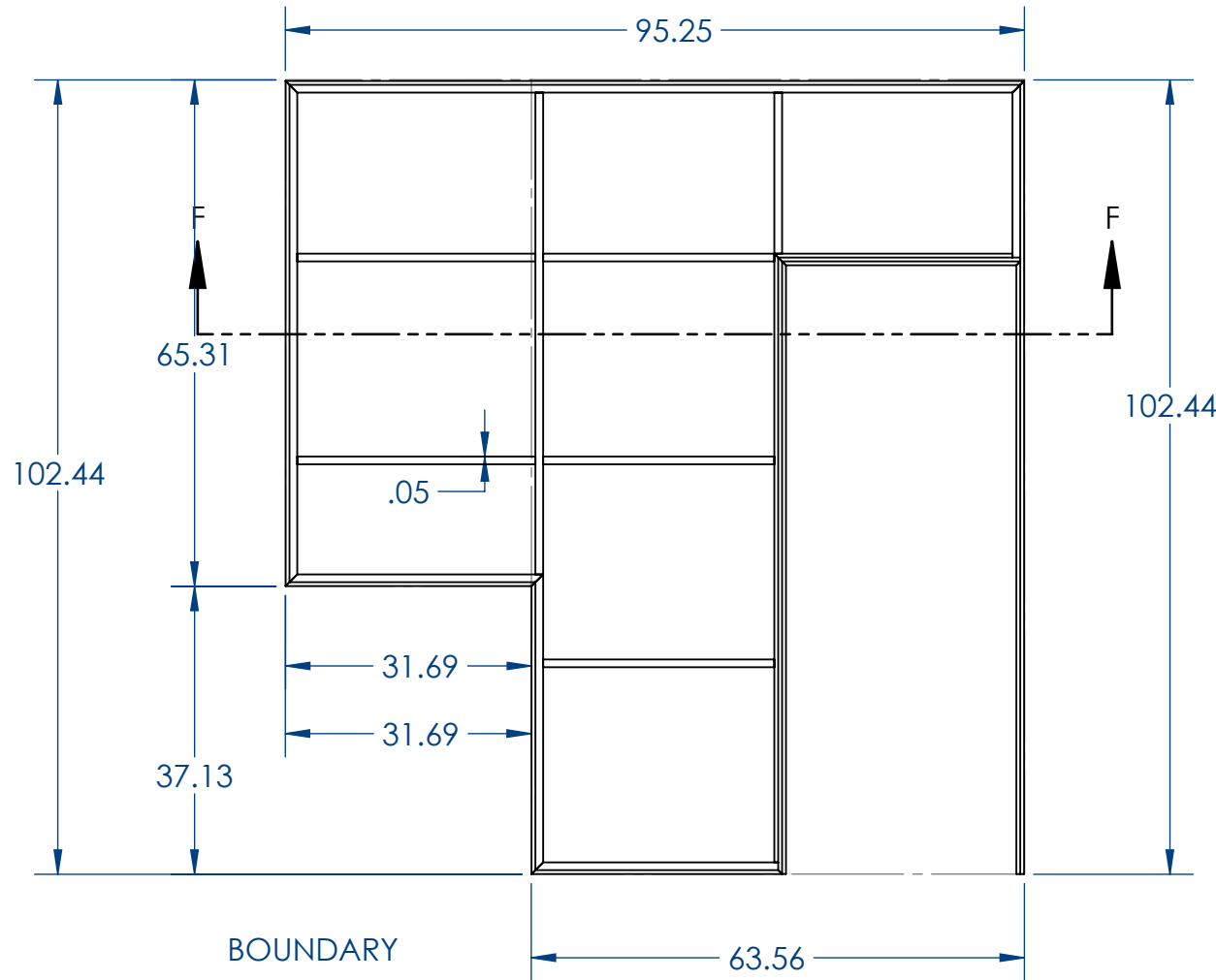
CONTRACTOR:

DESIGNER:

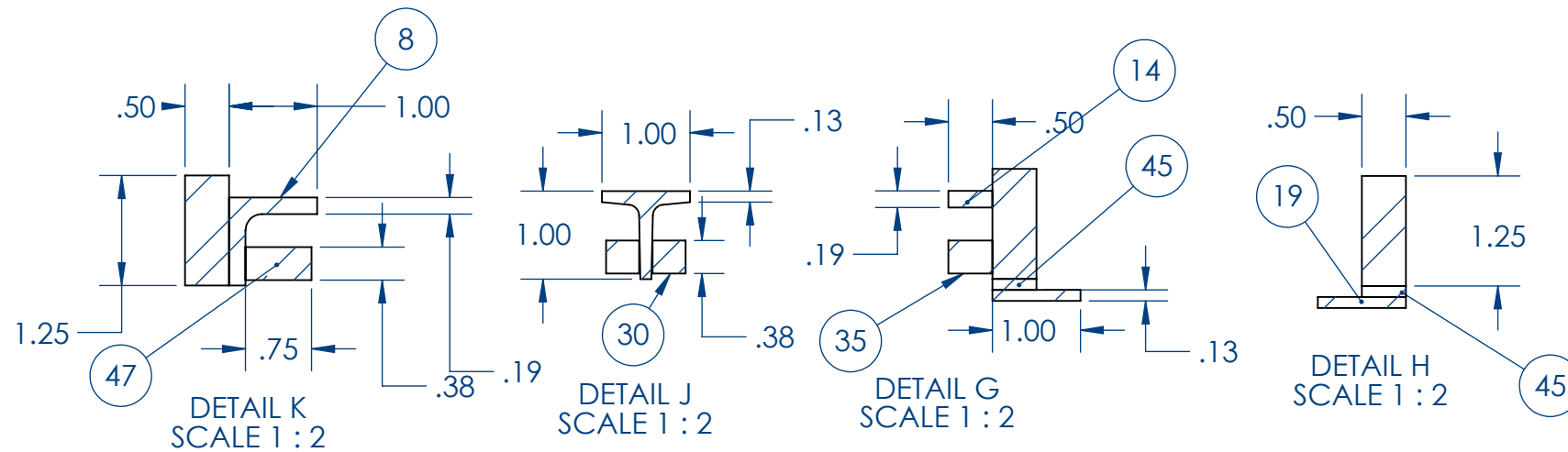
MATERIAL: STEEL

FINISH: TBD

8/15/2019



	TOTAL 20' PIECES
T BAR 1" X 1" X 1/8"	2
STEEL BAR 3/8" X 3/8"	4
STEEL BAR 3/8" X 1/2"	1
STEEL BAR 3/4" X 3/8"	3
STEEL BAR 1-1/4" X 1/2"	4
STEEL BAR 1/8" X 1/2"	2
L ANGLE 1 X 1 X 3/16	2
FLAT STEEL 3/16" X 1/2"	1
FLAT BAR 1" X 1/8"	1



ITEM NO.	QTY.	DESCRIPTION	LENGTH	ANGLE1	ANGLE2	TOTAL LENGTH
1	1	STEEL BAR 1-1/4" X 1/2"	102.25	45°	0°	475.38
2	1	STEEL BAR 1-1/4" X 1/2"	95.19	45°	45°	475.38
3	1	STEEL BAR 1-1/4" X 1/2"	65.13	45°	45°	475.38
4	1	STEEL BAR 1-1/4" X 1/2"	32.19	45°	45°	475.38
5	1	STEEL BAR 1-1/4" X 1/2"	37.63	45°	45°	475.38
6	1	STEEL BAR 1-1/4" X 1/2"	32.31	45°	45°	475.38
7	1	L ANGLE 1 X 1 X 3/16	94.19	45°	45°	282.69
8	1	L ANGLE 1 X 1 X 3/16	64.13	45°	45°	282.69
9	1	L ANGLE 1 X 1 X 3/16	32.69	45°	45°	282.69
10	1	L ANGLE 1 X 1 X 3/16	38.13	45°	45°	282.69
11	1	L ANGLE 1 X 1 X 3/16	31.31	0°	45°	282.69
12	1	STEEL BAR 1-1/4" X 1/2"	79.5	45°	45°	475.38
13	1	STEEL BAR 1-1/4" X 1/2"	31.19	0°	45°	475.38
14	1	FLAT STEEL 3/16" X 1/2"	78.5	45°	0°	109.19
15	1	FLAT STEEL 3/16" X 1/2"	30.69	0°	45°	109.19
16	1	T BAR 1" X 1" X 1/8"	22.06	-	-	242.25
17	1	T BAR 1" X 1" X 1/8"	63.75	-	-	242.25
18	1	T BAR 1" X 1" X 1/8"	31.13	-	-	242.25
19	2	FLAT BAR 1" X 1/8"	79.5	45°	0°	190.69
20	1	FLAT BAR 1" X 1/8"	31.69	45°	45°	190.69
21	2	T BAR 1" X 1" X 1/8"	31.94	-	-	242.25
22	1	T BAR 1" X 1" X 1/8"	30.69	-	-	242.25
23	1	T BAR 1" X 1" X 1/8"	30.75	-	-	242.25
24	1	L ANGLE 1 X 1 X 3/16	22.25	45°	0°	282.69
25	1	STEEL BAR 3/8" X 3/8"	30.17	45°	0°	535.12
26	1	STEEL BAR 3/8" X 3/8"	21.31	0°	45°	535.12
27	1	STEEL BAR 3/8" X 3/8"	30.67	45°	45°	535.12
28	3	STEEL BAR 3/8" X 3/8"	21.24	0°	45°	535.12
29	5	STEEL BAR 3/8" X 3/8"	31.17	0°	45°	535.12
30	2	STEEL BAR 3/8" X 3/8"	26.01	45°	45°	535.12
31	3	STEEL BAR 3/8" X 3/8"	30.24	45°	0°	535.12
32	1	STEEL BAR 3/8" X 3/8"	15.45	0°	45°	535.12
33	1	STEEL BAR 3/4" X 3/8"	22.06	0°	45°	219.12
34	1	STEEL BAR 3/4" X 3/8"	30.92	45°	0°	219.12
35	2	STEEL BAR 3/8" X 1/2"	26.01	0°	0°	104.45
36	2	STEEL BAR 3/8" X 3/8"	29.88	0°	0°	535.12
37	1	STEEL BAR 3/4" X 3/8"	10.57	0°	0°	219.12
38	1	STEEL BAR 3/4" X 3/8"	26.41	0°	0°	219.12
39	1	STEEL BAR 3/4" X 3/8"	15.45	0°	0°	219.12
40	1	STEEL BAR 3/4" X 3/8"	21.24	0°	0°	219.12
41	1	STEEL BAR 3/4" X 3/8"	30.67	0°	0°	219.12
42	1	STEEL BAR 3/4" X 3/8"	31.92	0°	0°	219.12
43	1	STEEL BAR 3/4" X 3/8"	29.88	0°	0°	219.12
44	1	STEEL BAR 3/8" X 3/8"	15.45	45°	45°	535.12
45	2	STEEL BAR 1/8" X 1/2"	79.5	45°	0°	190.69
46	1	STEEL BAR 1/8" X 1/2"	31.69	45°	45°	190.69
47	1	STEEL BAR 3/4" X 3/8"	26.01	0°	0°	104.45
48	1	STEEL BAR 3/8" X 3/8"	104.45	0°	0°	104.45



21125 Centre Point Pkwy  
 Santa Clarita, California  
 Phone: (661) 839-9406

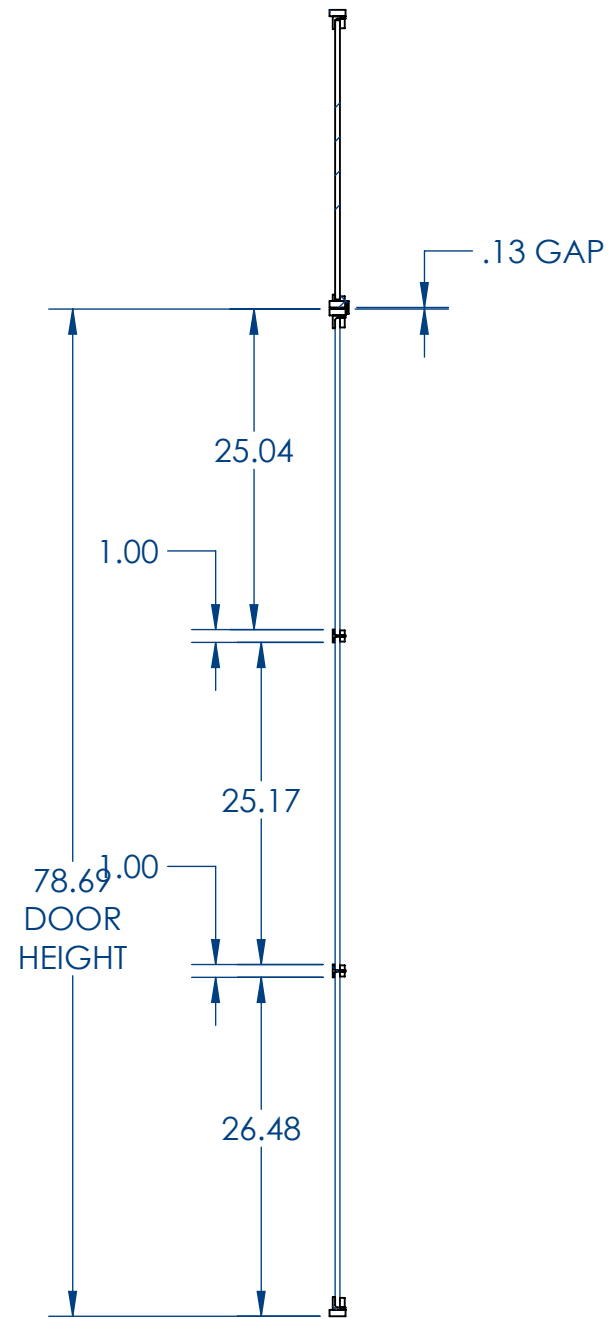
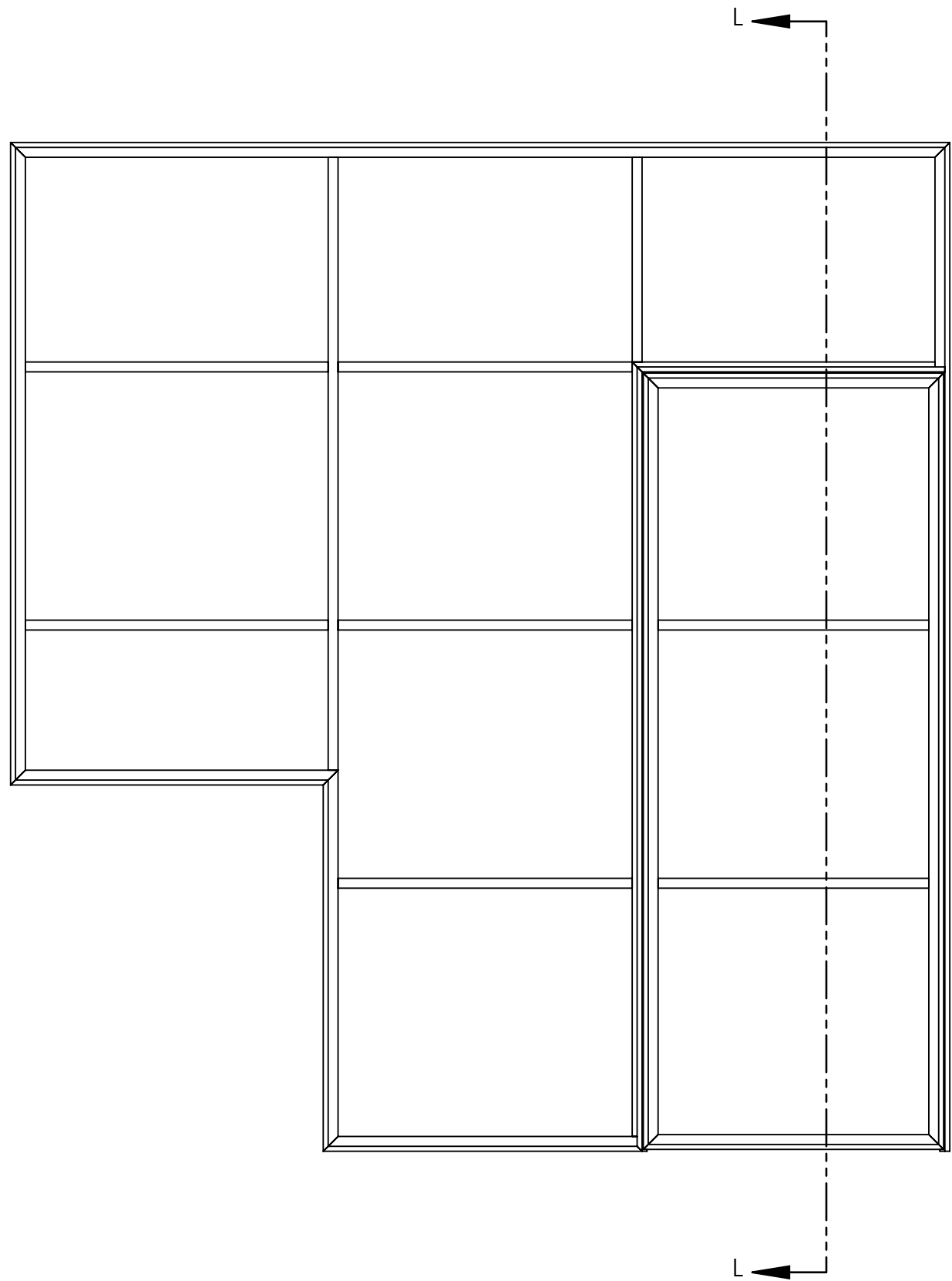
TITLE: CASTITLLA SHOWER DOOR

CONTRACTOR:

DESIGNER:

FINISH: TBD

8/15/2019



SECTION L-L  
SCALE 1 : 15

