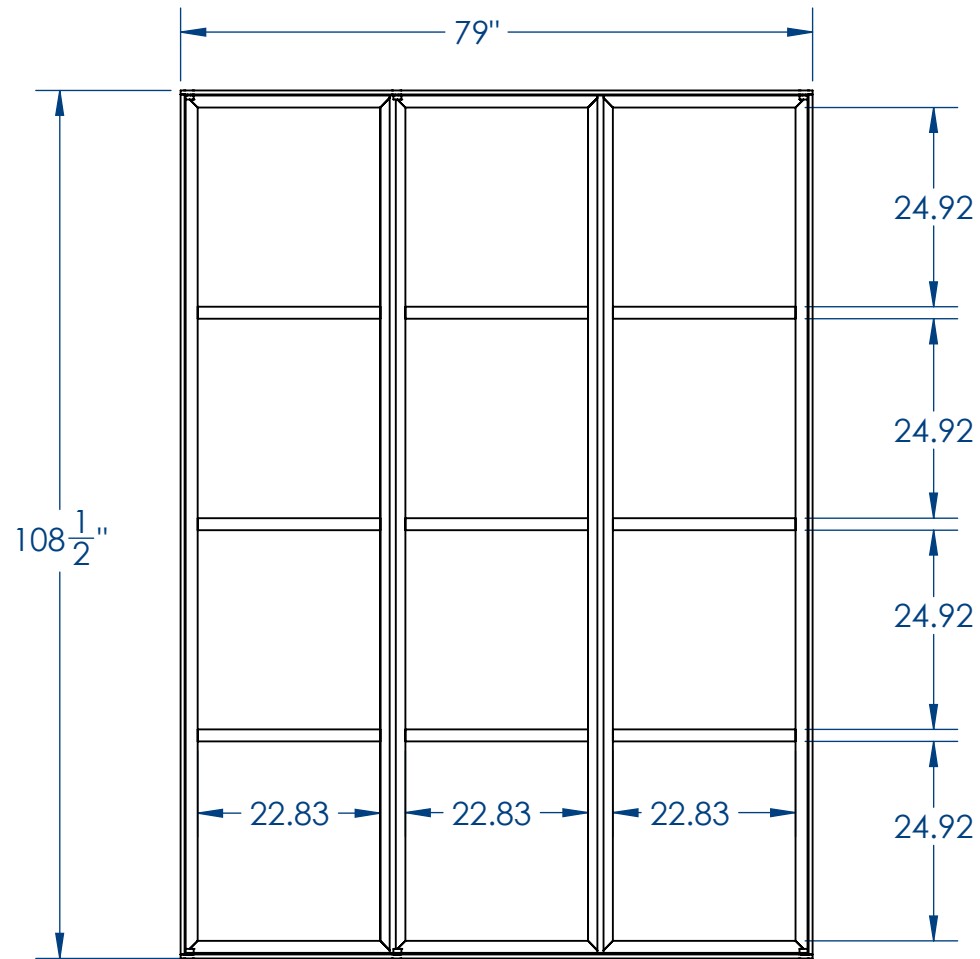
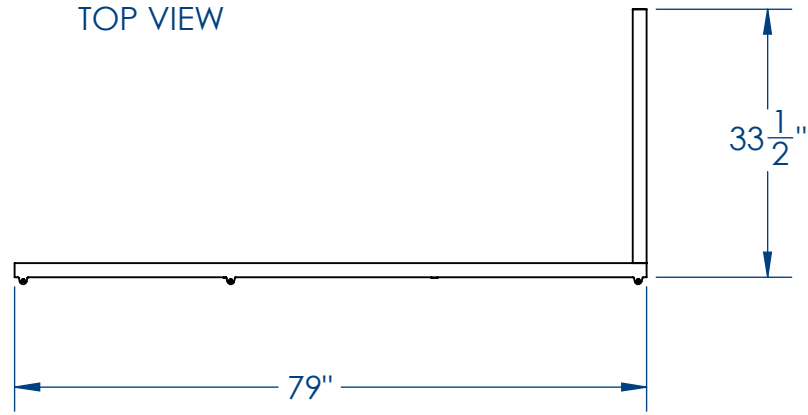
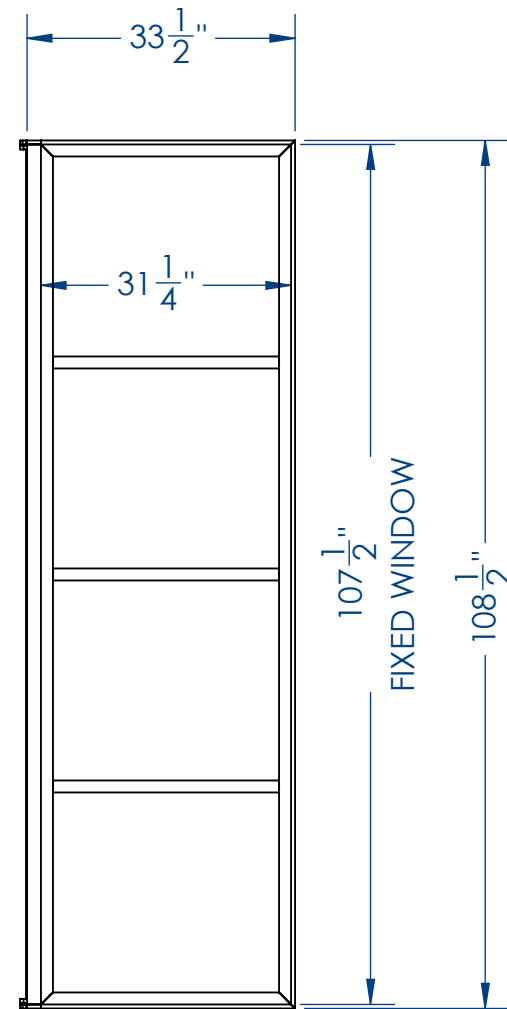


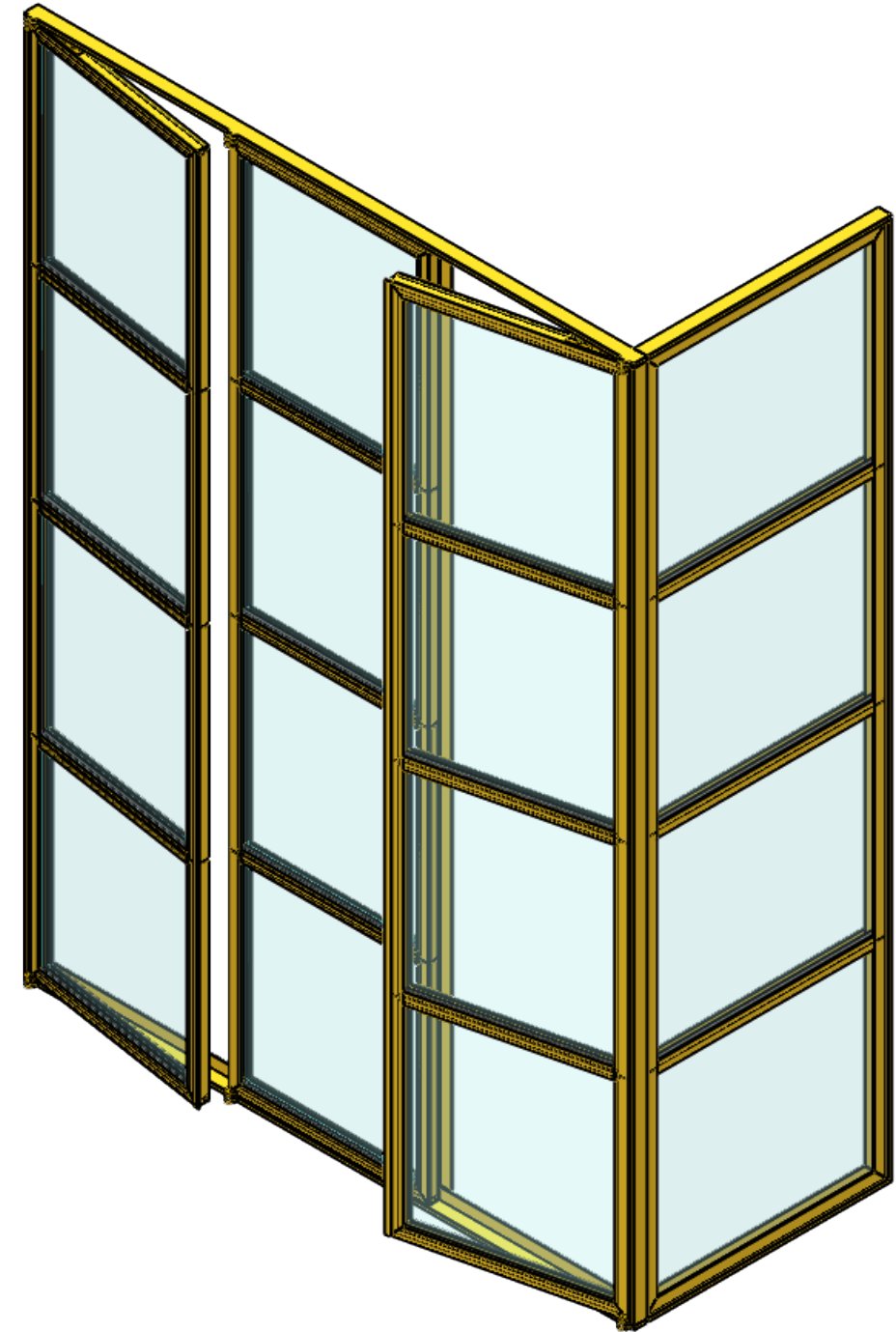
TOP VIEW

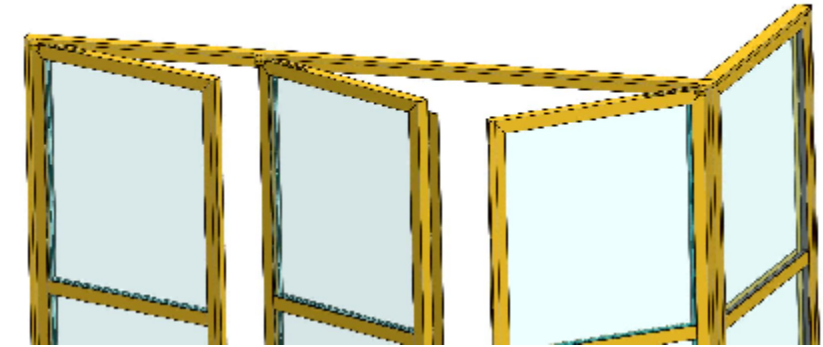
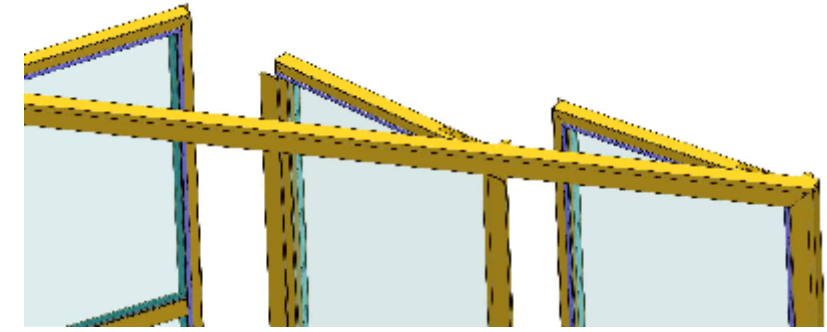
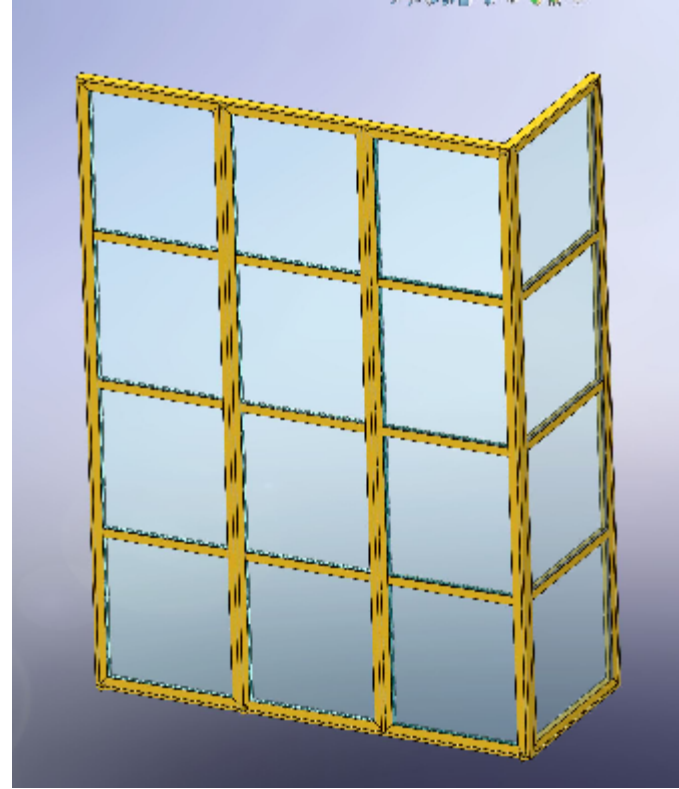


FRONT VIEW



SIDE VIEW





AIR SEAL DETAILS

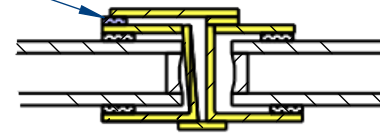
Water-Resistant Closed Cell, Foam Strip, Neoprene/EPDM/SBR, 1/8" X 3/8" Black

Water-Resistant Closed Cell, Foam Strip, Neoprene/EPDM/SBR, 1/8" X 3/8" Black



1/8" LEFT GAP

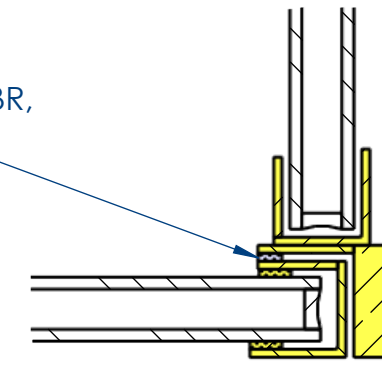
DETAIL AE SCALE 1 : 3



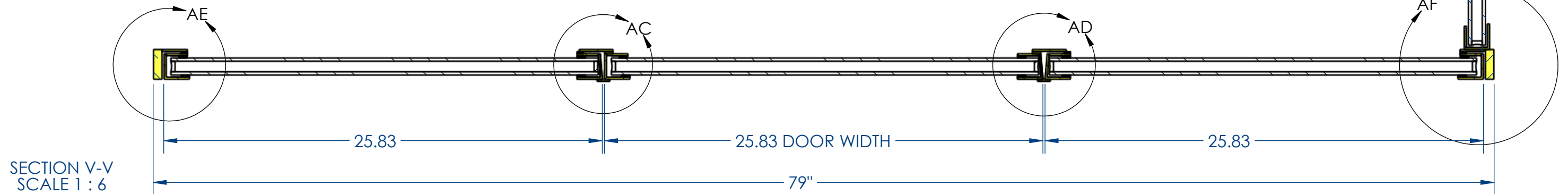
DETAIL AC SCALE 1 : 3

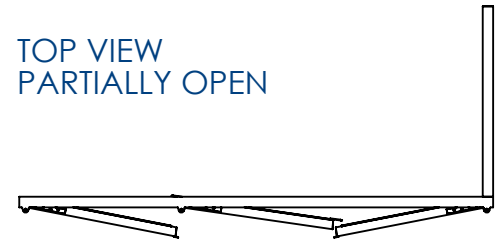


DETAIL AD SCALE 1 : 3

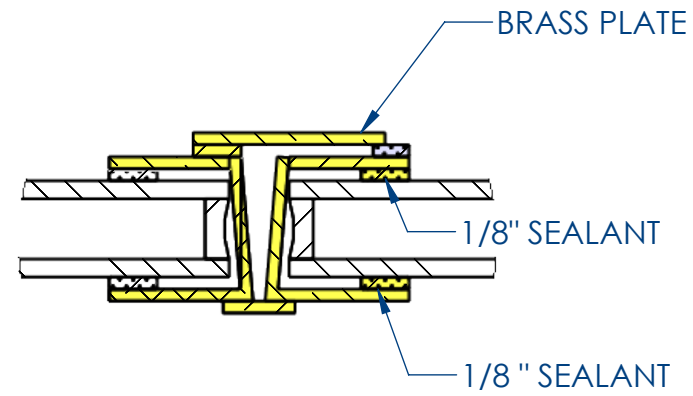
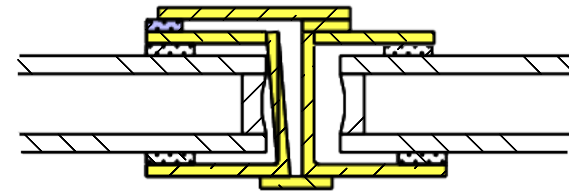


DETAIL AF SCALE 1 : 3

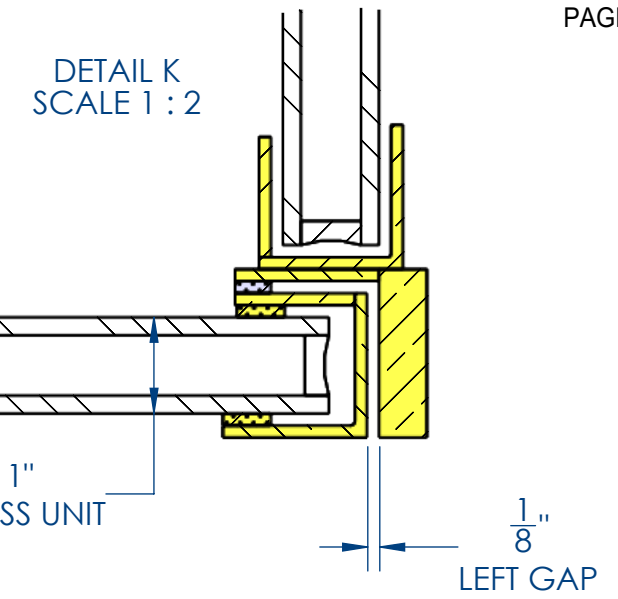




DETAIL AH  
SCALE 1 : 2

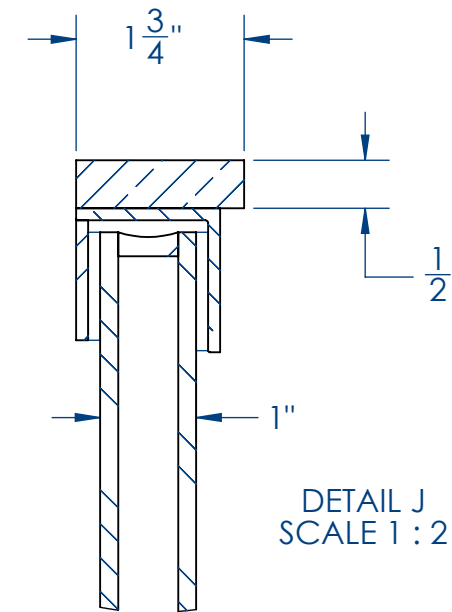
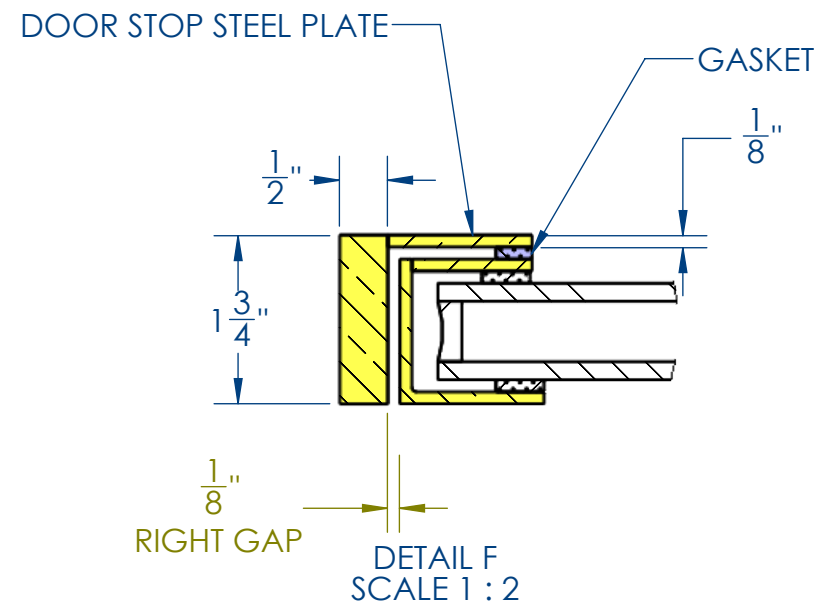
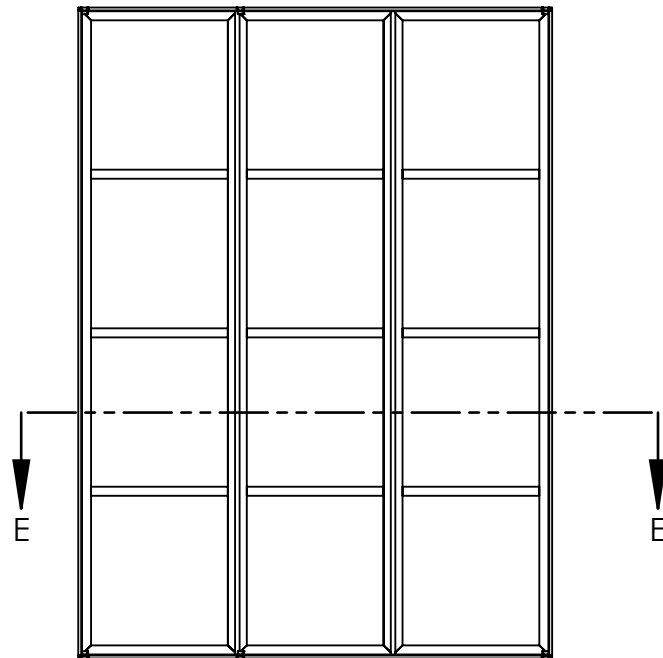


DETAIL H  
SCALE 1 : 2

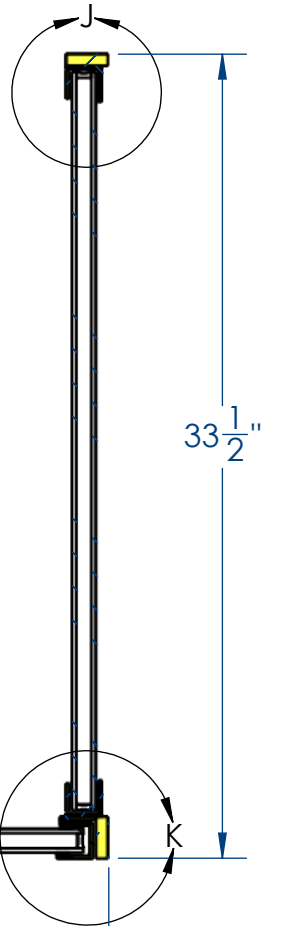


DETAIL K  
SCALE 1 : 2

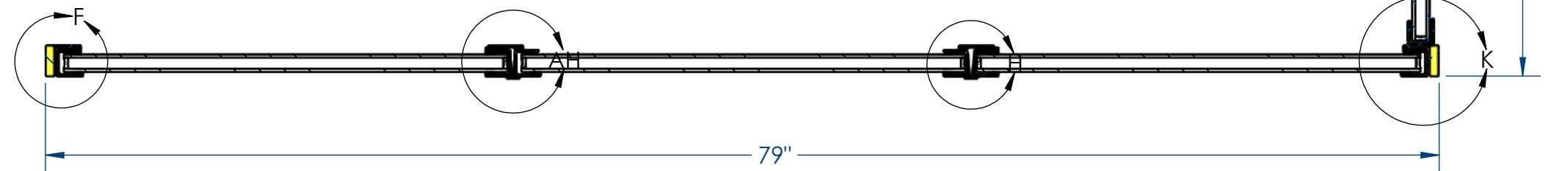
FRONT VIEW CLOSE POSITION

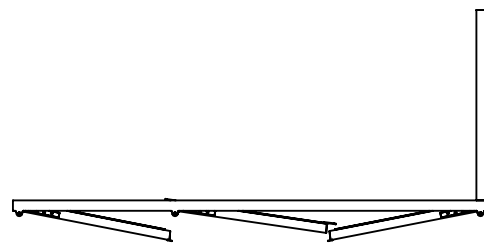


DETAIL J  
SCALE 1 : 2

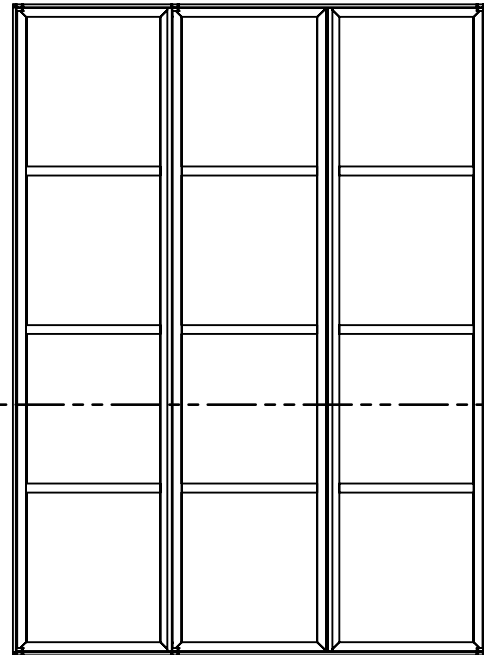


SECTION E-E  
SCALE 1 : 8

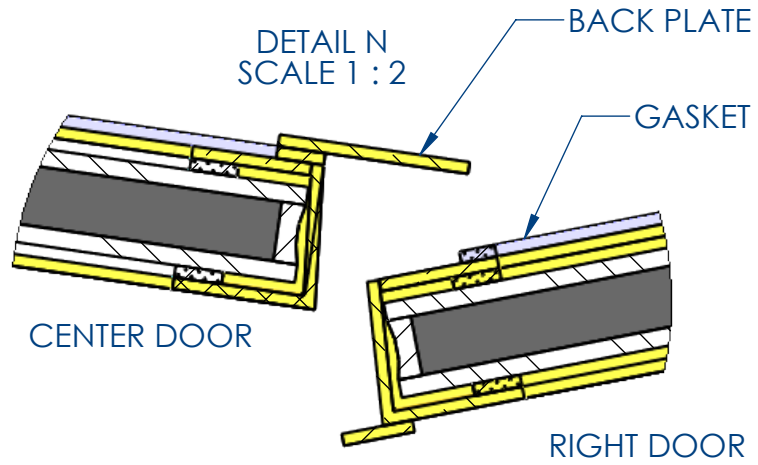
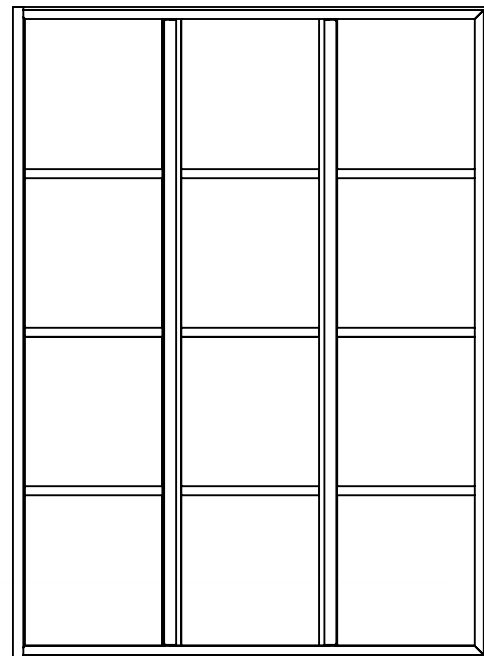




FRONT VIEW CLOSE POSITION



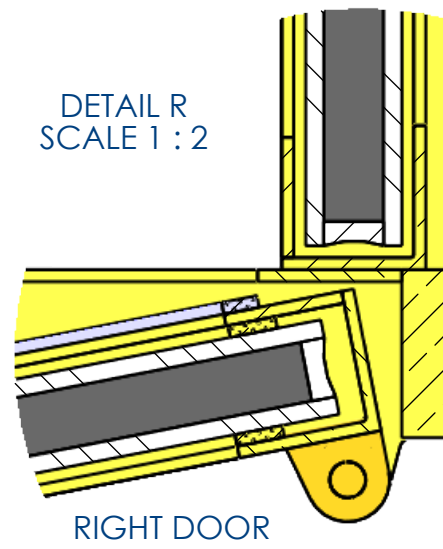
INSIDE VIEW CLOSE POSITION



DETAIL N  
SCALE 1 : 2

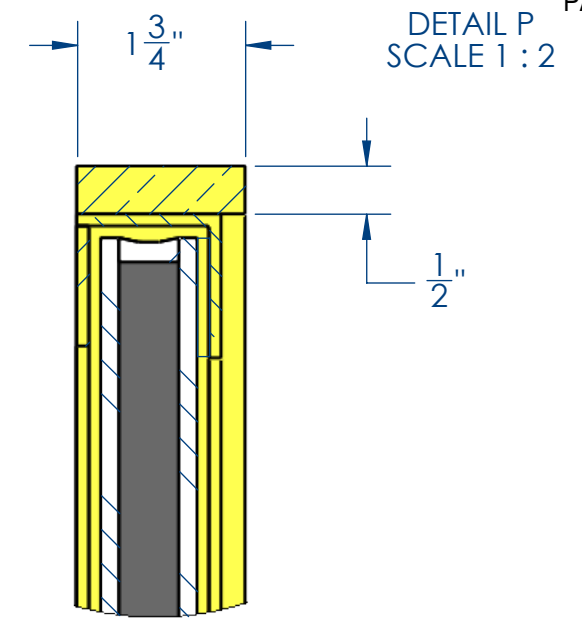
CENTER DOOR

RIGHT DOOR

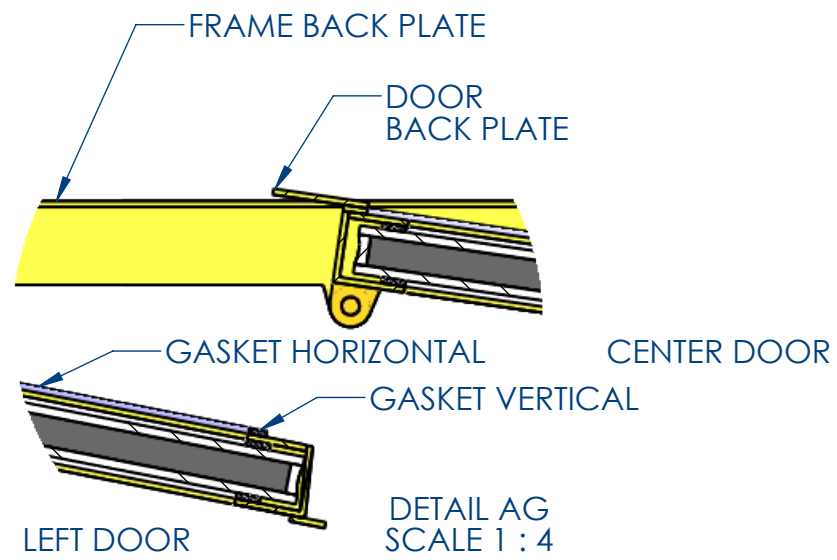


DETAIL R  
SCALE 1 : 2

RIGHT DOOR



DETAIL P  
SCALE 1 : 2



FRAME BACK PLATE

DOOR  
BACK PLATE

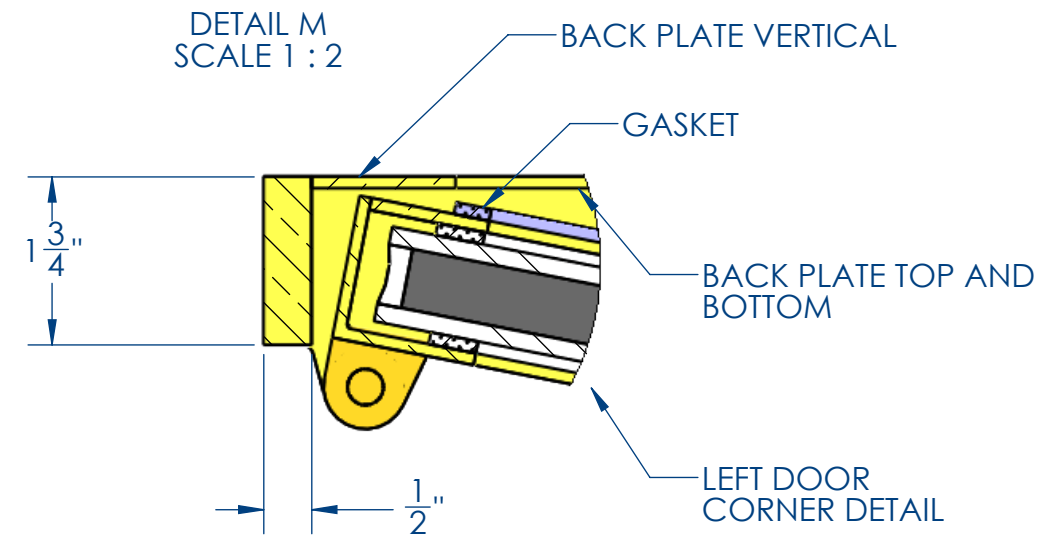
GASKET HORIZONTAL

GASKET VERTICAL

CENTER DOOR

LEFT DOOR

DETAIL AG  
SCALE 1 : 4



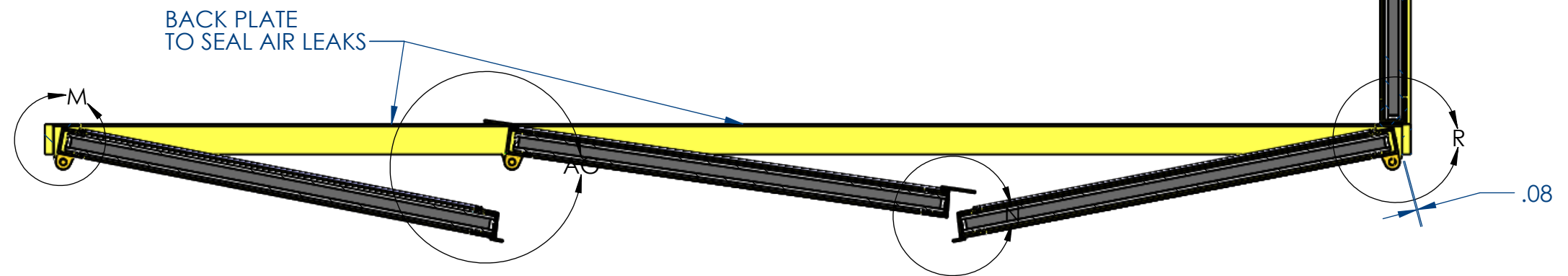
DETAIL M  
SCALE 1 : 2

BACK PLATE VERTICAL

GASKET

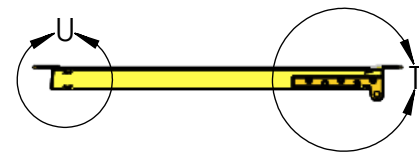
BACK PLATE TOP AND  
BOTTOM

LEFT DOOR  
CORNER DETAIL



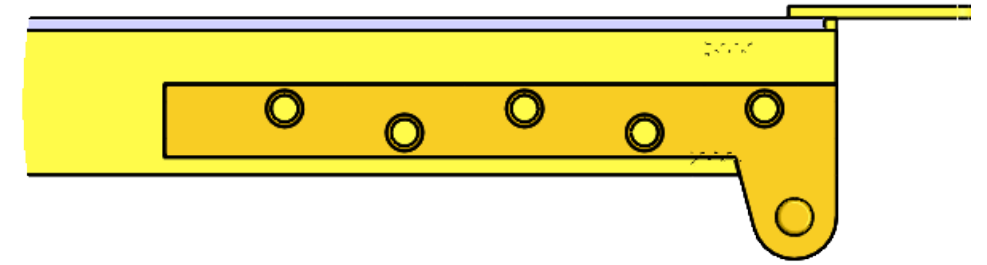
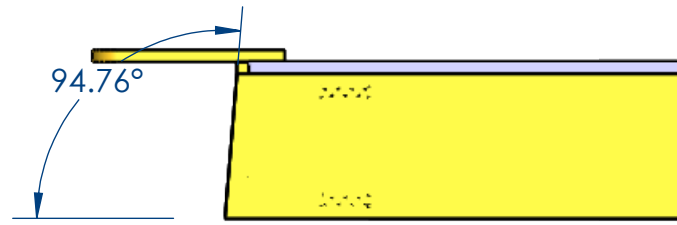
BACK PLATE  
TO SEAL AIR LEAKS

.08

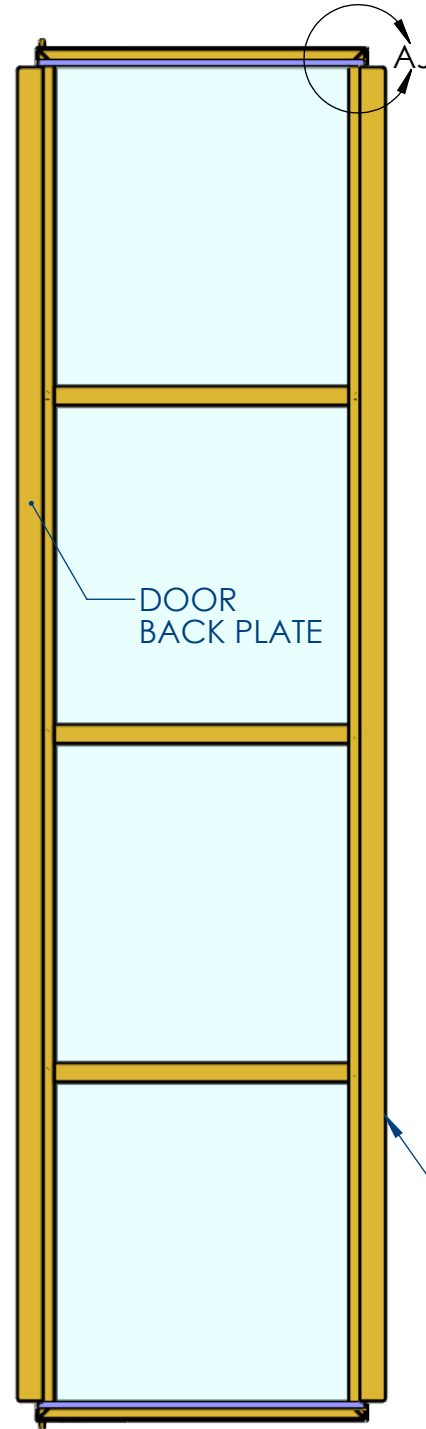
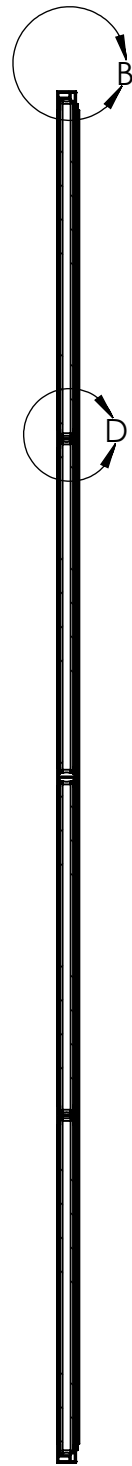
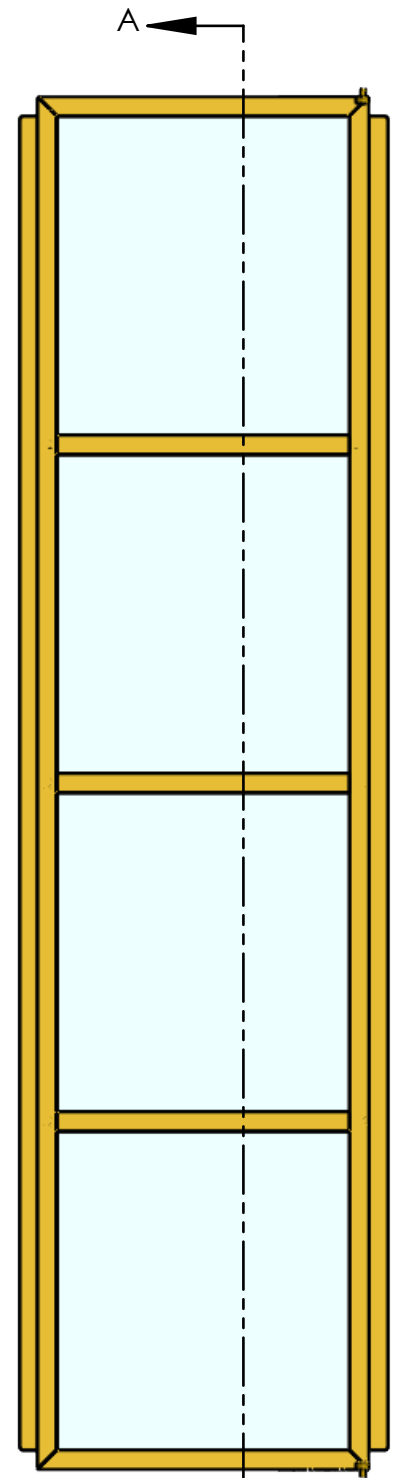


CENTER DOOR DETAILS

DETAIL T  
SCALE 1 : 2

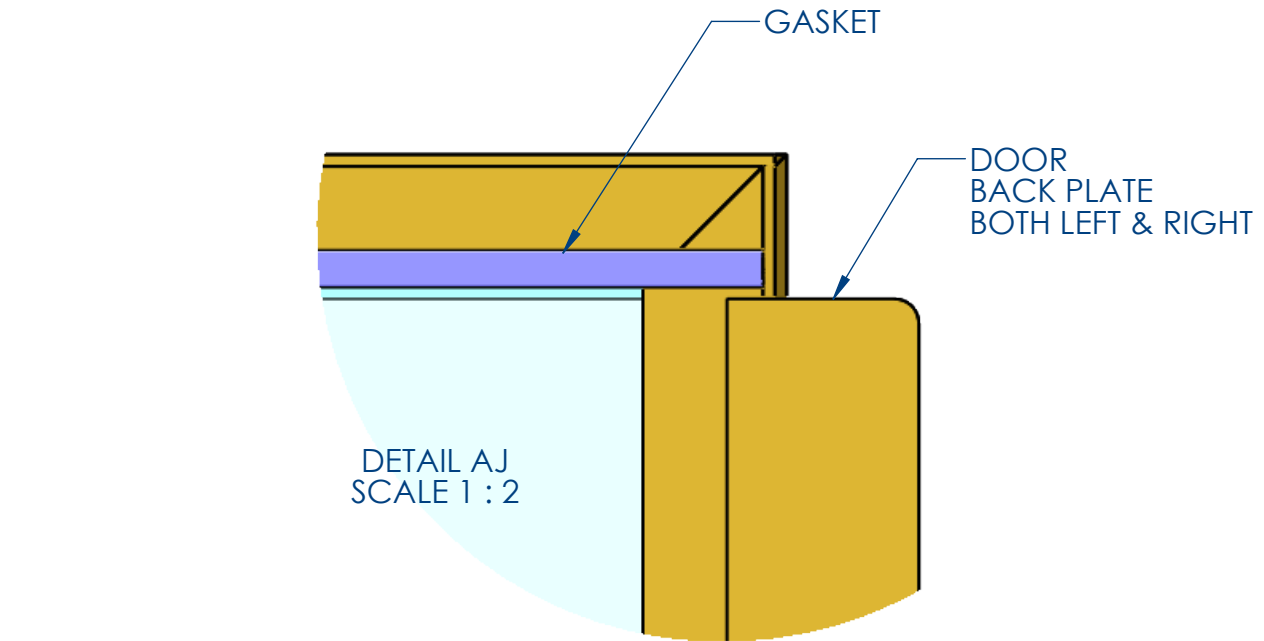


DETAIL U  
SCALE 1 : 2



DOOR  
BACK PLATE

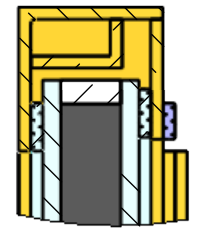
DOOR  
BACK PLATE



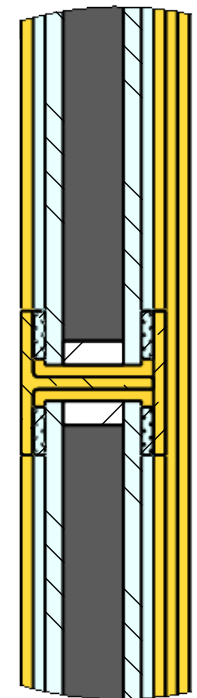
DETAIL AJ  
SCALE 1 : 2

GASKET

DOOR  
BACK PLATE  
BOTH LEFT & RIGHT



DETAIL B  
SCALE 1 : 2



DETAIL D  
SCALE 1 : 2

NOTE:  
LEFT AND RIGHT DOOR  
WILL NOT HAVE BACK PLATES

FOR MANUFACTURE LEFT AND RIGHT DOOR  
SEE DRAWING MACHINE DETAILS

SECTION A-A  
SCALE 1 : 15